

SCHALTPLAN



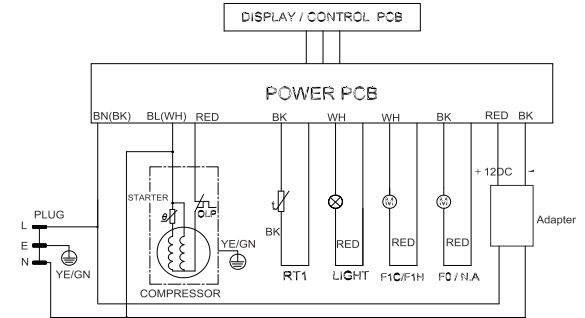
KBS Gastrotechnik GmbH – Schoßbergstraße 26 – 65201 Wiesbaden

78.0 mm



KBS

CIRCUIT DIAGRAM



KBS Gastrotechnik GmbH
 Schoßberstr.26
 65201 Wiesbaden (Germany)



MODEL	UKS 140
ITEM NO.	60339
CLIMATE CLASS	3
STORAGE VOLUME	110L
LAMPS POWER	1.0A
VOLTAGE	220-240V/50Hz
WATT	110
LAMPS POWER	1W
REFRIGERANT	R600a/28g
DIMENSIONS (HxWxD)	865x600x600mm
FOAMING AGENT	Cyclopentane
PRODUCTION DATE	05. 2024
SERIAL NO.	

146.0 mm