

SCHALTPLAN



KBS Gastrotechnik GmbH – Schoßbergstraße 26 – 65201 Wiesbaden



KBS

Model: **Vino 500** Code: **529500**

Vino 500/

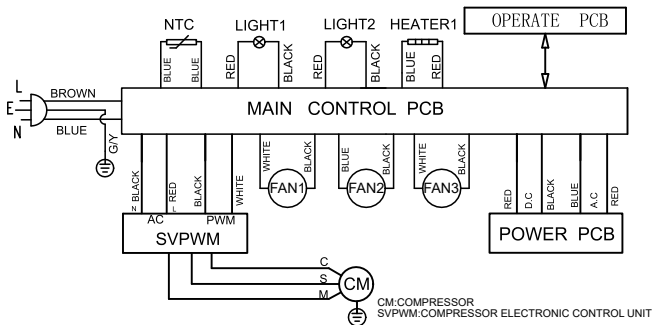
KBS Gastrotechnik GmbH

Schossbergstraße 26 65201 Wiesbaden, Germany

WINE COOLER

Type:	BU-468i-A0B2
Climate Type:	ST, N
Storage Volume:	472L
Rated Volt./Freq.:	220-240V 50Hz
Rated Current:	1.3A
Light Power:	Max. 2.5W*2+1W
Rated Heating Power:	140W
Refrigerant:	R600a(48g)
Blowing Gas:	Cyclopentane
Unit Size(mm):	650*680*1835
N.W.(kg):	116

CIRCUIT DIAGRAM



RoHS
2011/65/EU

Made In China