

SCHALTPLAN



KBS Gastrotechnik GmbH – Schoßbergstraße 26 – 65201 Wiesbaden



KBS

Model: **Vino 480** Code: **529480**

Vino 480/

KBS Gastrotechnik GmbH

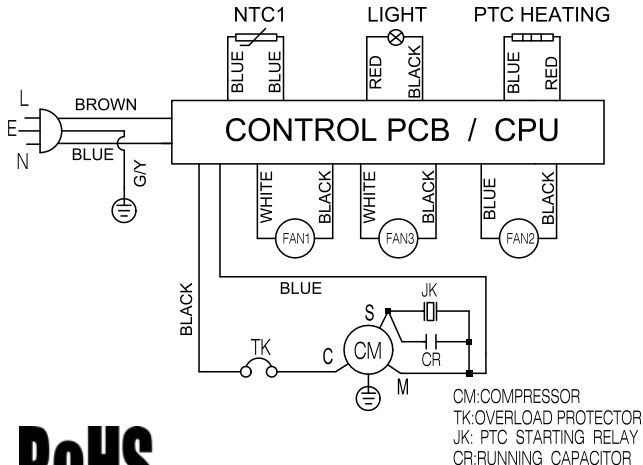
Schossbergstraße 26 65201 Wiesbaden, Germany

WINE COOLER

Type:	BU-428
Climate Type:	ST, N
Gross Volume:	428L
Rated Volt./Freq.:	220-240V 50Hz
Rated Current:	1.1A
Light Power:	Max. 1W
Rated Heating Power:	130W
Refrigerant:	R600a(51g)
Blowing Gas:	Cyclopentane
Unit Size(mm):	595*680*1775
N.W.(kg):	100



CIRCUIT DIAGRAM



RoHS

2011/65/EU

Made In China