

SCHALTPLAN



KBS Gastrotechnik GmbH – Schoßbergstraße 26 – 65201 Wiesbaden



KBS

Model: **Vino 443** Code: **529443**

Vino 443/

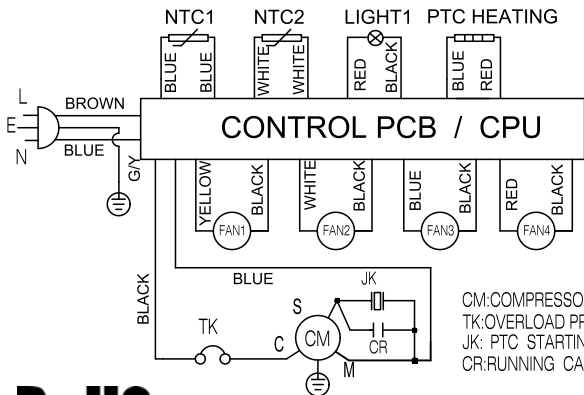
KBS Gastrotechnik GmbH

Schossbergstraße 26 65201 Wiesbaden, Germany

WINE COOLER

Type:	BU-428D
Climate Type:	N
Storage Volume:	418L
Rated Volt./Freq.:	220-240V 50Hz
Rated Current:	1.1A
Light Power:	Max 1Wx2
Rated Heating Power:	130W
Refrigerant:	R600a(51g)
Blowing Gas:	Cyclopentane
Unit Size(mm):	595*680*1770
N.W.(kg):	98

CIRCUIT DIAGRAM



CM:COMPRESSOR
 TK:OVERLOAD PROTECTOR
 JK: PTC STARTING RELAY
 CR:RUNNING CAPACITOR



RoHS
 2011/65/EU

Made In China