

# SCHALTPLAN



KBS Gastrotechnik GmbH – Schoßbergstraße 26 – 65201 Wiesbaden



# KBS

Model: **Vino 281**

Code: **529281**

Vino 281/

**KBS Gastrotechnik GmbH**

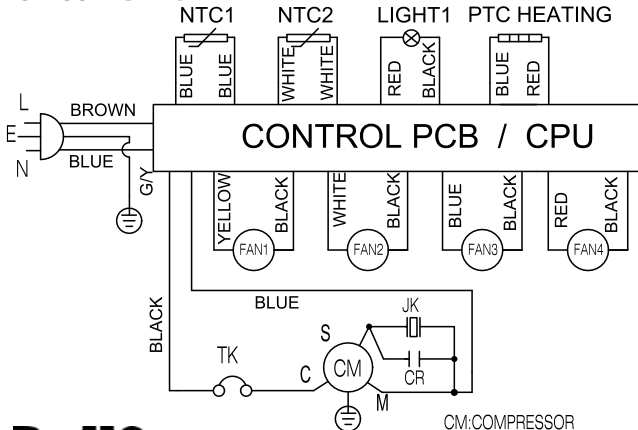
Schossbergstraße 26 65201 Wiesbaden, Germany

## WINE COOLER

Type:	BU-270D
Climate Type:	ST,N
Gross Volume:	261L
Rated Volt./Freq.:	220-240V 50Hz
Rated Current:	0.86A
Light Power:	Max. 1Wx2
Rated Heating Power:	130W
Refrigerant:	R600a(44g)
Blowing Gas:	Cyclopentane
Unit Size(mm):	595*680*1215
N.W.(kg):	73



## CIRCUIT DIAGRAM



CM:COMPRESSOR  
 TK:OVERLOAD PROTECTOR  
 JK: PTC STARTING RELAY  
 CR:RUNNING CAPACITOR

**RoHS**  
 2011/65/EU

Made In China