

SCHALTPLAN



KBS Gastrotechnik GmbH – Schoßbergstraße 26 – 65201 Wiesbaden



KBS

Model: **Vino 162** Code: **529162**

Vino 162/

KBS Gastrotechnik GmbH

Schossbergstraße 26 65201 Wiesbaden, Germany

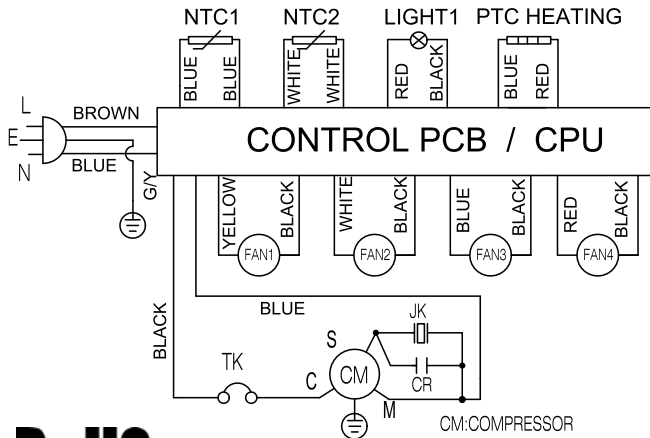
WINE COOLER

Type:	BU-145D
Climate Type:	ST,N
Gross Volume:	135L
Rated Volt./Freq.:	220-240V 50Hz
Rated Current:	0.8A
Light Power:	Max. 1Wx2
Rated Heating Power:	100W
Refrigerant:	R600a(29g)
Blowing Gas:	Cyclopentane
Unit Size(mm):	595*570*820
N.W.(kg):	43.80



RoHS
2011/65/EU

CIRCUIT DIAGRAM



CM:COMPRESSOR
 TK:OVERLOAD PROTECTOR
 JK: PTC STARTING RELAY
 CR:RUNNING CAPACITOR

Made In China