

SCHALTPLAN



KBS Gastrotechnik GmbH – Schoßbergstraße 26 – 65201 Wiesbaden



KBS

Model: **Vino 142** Code: **529162**

Vino 142/

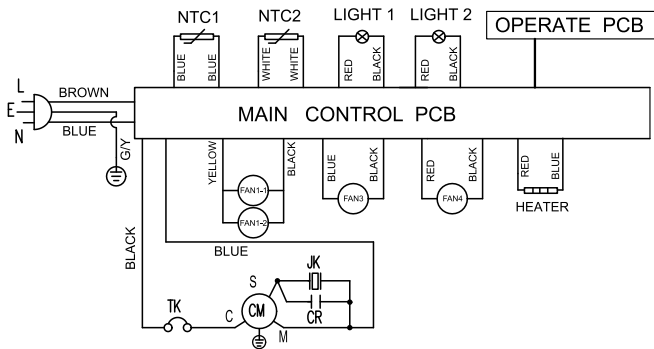
KBS Gastrotechnik GmbH

Schossbergstraße 26 65201 Wiesbaden, Germany

WINE COOLER

Type:	BU-125D
Climate Type:	ST,N
Gross Volume:	126L
Rated Volt./Freq.:	220-240V 50Hz
Rated Current:	0.55A
Light Power:	Max. 1Wx2
Rated Heating Power:	140W
Refrigerant:	R600a(30g)
Blowing Gas:	Cyclopentane
Unit Size(mm):	595*570*885
N.W.(kg):	49

CIRCUIT DIAGRAM



RoHS
2011/65/EU

Made In China

CM:COMPRESSOR
 TK:OVERLOAD PROTECTOR
 JK: PTC STARTING RELAY
 CR:RUNNING CAPACITOR