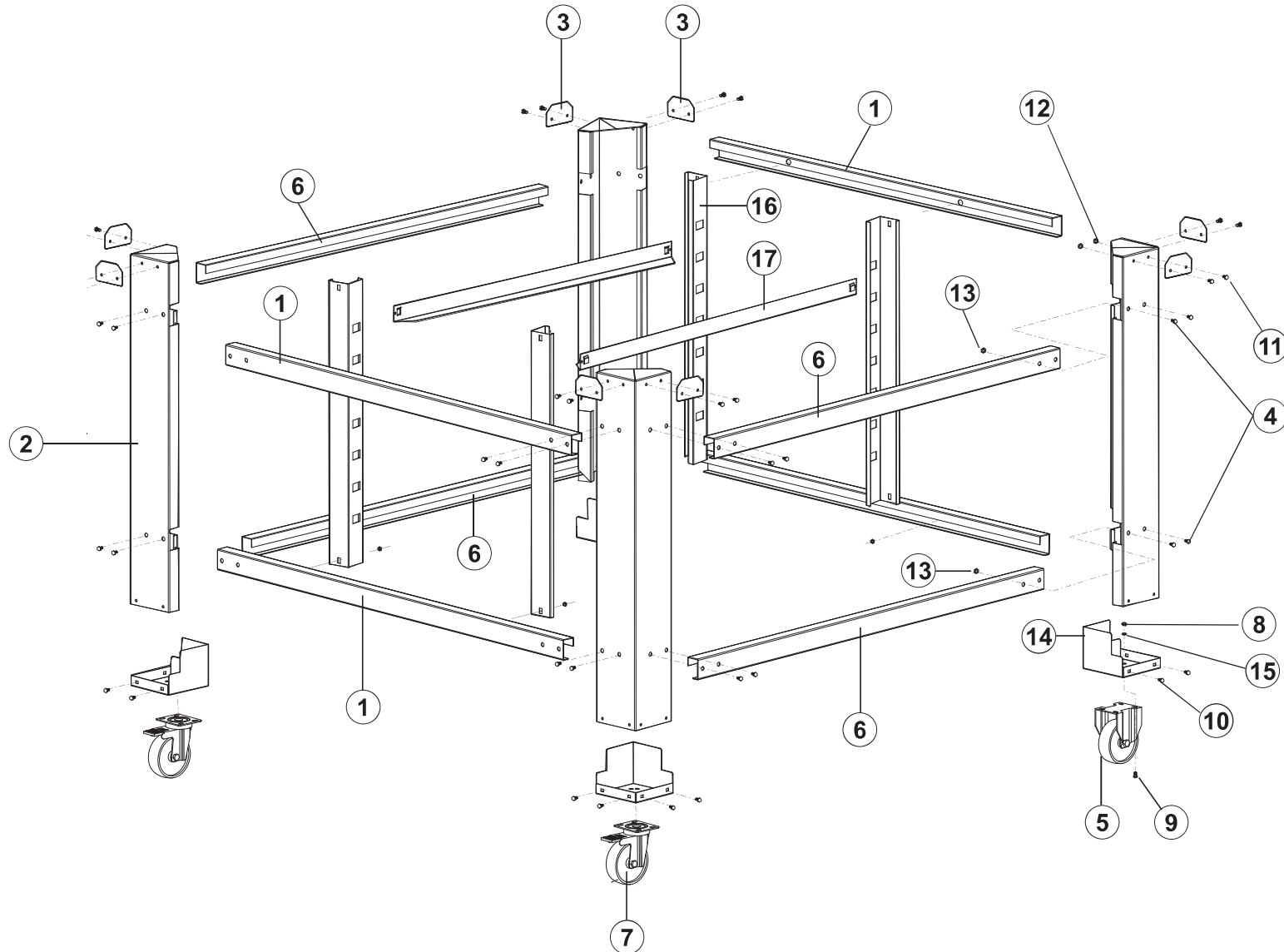


EXPLOSIONSZEICHNUNG



KBS Gastrotechnik GmbH – Schoßbergstraße 26 – 65201 Wiesbaden

Macchina	TK - CE -	
Tavola/Chart	15	15/15



Pos.	Codice	Q.tà	Descrizione	Designation	Note
1	51800001	4	Traversa L=912	L=912 Crosspiece	TK-A/TK-B
1	51800003	4	Traversa L=1242	L=1242 Crosspiece	TK-C/TK-D
2	58000008	4	Gamba 120x120x860	120x120x860 support	
3	55100003	6	Flangia battuta	Keyed flange	
4	80101178	32	Vite M10x16	M10x16 screw	
5	82511030	2	Ruota D 125 girevole	D 125 swivel castor	
6	51700001	4	Longarone L=712	L=712 side member	TK-A
6	51700004	4	Longarone L=1042	L=1042 side member	TK-B/TK-C
6	51700010	4	Longarone L=812	L=812 side member	TK-D
7	82511004	2	Ruota D 125 girevole con freno	D 125 swivel castor with brake	
8	80301037	4	Rosetta M8x16x1,6	M8x16x1,6 washer	
11	80101145	52	Vite 6x10	6x10 screw	
12	80140001	52	Dado M6x10	M6x10 nut	
13	80140022	32	Dado M10x16	M10x16 nut	
14	52000111	4	Supporto ruote	Swivel support	
15	80140035	16	Dado M8x16	M8x16 nut	
16	52000042	4	Supporto portateglie H=535	H=535 tray support frame	
17	52000040	6	Supporto teglie L=690	L=690 tray support	TK-A
17	52000045	6	Supporto teglie L=1020	L=1020 tray support	TK-B/TK-C
17	52000089	6	Supporto teglie L=790	L=790 tray support	TK-D