

# EXPLOSIONSZEICHNUNG



KBS Gastrotechnik GmbH – Schoßbergstraße 26 – 65201 Wiesbaden

# DOLCE VITA 2 R600 (COD. E4367S0000)



Ice cream cabinet

Spare parts list

Ref.	Description	Code
1	ICE CREAM COVER, DOLCE VITA 8/10	2611016
2	COVER DOLCE VITA 2 BLUE P290C	8421051
3	GASKET DOLCE VITA 2	4611083
4	CIRCULAR THERMOMETER D.57 -40/+40°C	2631008
5	THERMOM.-THERMOSTAT BULB-COVER VS-VT/E WHITE	3420499412000
6	BASKETCYLINDRICAL TUB D.200 DOLCE VITA 6 WHITE	0621332
7	PARTITION BASKET DOLCE VITA WHITE	0621391
8	ACC.SET CUBIGEL HLY99AA 220-240V 50HZ RSIR R600	1147588
9	COMP.CUBIGEL HLY99AA 220-240V 50HZ RSIR R600	4106132
10	FILTER XH9 ENTRY 5 OUT 2.75 GR20	3141032
11	WIRE CONDENSER	4111054
12	FAN D.230X28° PRESS ALUMINUM	4122022
13	MOTOR FAN 10W 220/240V-50/60HZ BRACKET H72	4121135
14	THERMOSTAT DIG.XR30CH DIXELL DOLCEVITA R290 ->	1188272
15	DIGITAL THERMOST. PROBE L=3000	1185028
16	POWER SUPPLY LED 24V REF.APV-16-24	1171016
17	EXTERN.HANDLE L=280 DIST.33 DOLCE VITA 2	0601082
18	CONTROL BOARD PROT.DOLCEVITA R290	1792838
20	WHEEL 50/2/NP1 PLATE H75	5623007
21	REAR PANEL.ZOCCOLO DOLCE VITA 2/4 R290 AZZURRO P290C	8522005
22	RIGHT PANEL.DOLCE VITA 2 BLUE P290C	8522051
23	LEFT PANEL.DOLCE VITA 2 BLUE P290C	8522052
24	FRONT PANEL.ZOCCOLO PIANO DOLCE VITA 2/4 AZZURRO P290C	8522003

\* Price list without VAT. The prices of the accessories set are to be considered only if they are sold with the relevant compressors

The manufacturer will reserve the right to make any modification without prior notice.

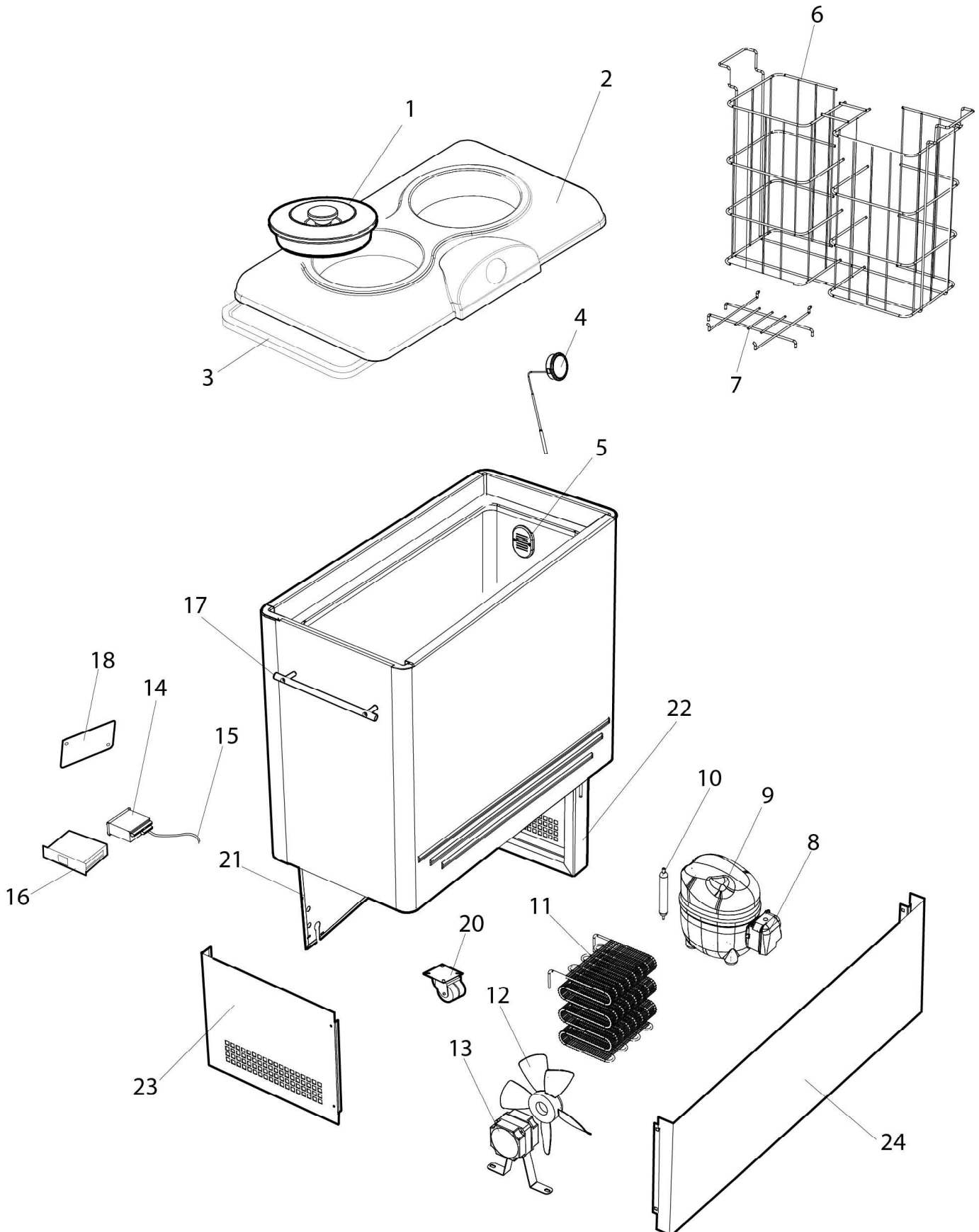
Updated on
15/03/2019

# DOLCE VITA 2 R600 (COD. E4367S0000)



Ice cream cabinet

Spare parts drawing



Updated on  
15/03/2019