

EXPLOSIONSZEICHNUNG



KBS Gastrotechnik GmbH – Schoßbergstraße 26 – 65201 Wiesbaden

parts - EASYVAC

TOUCH 25 BX

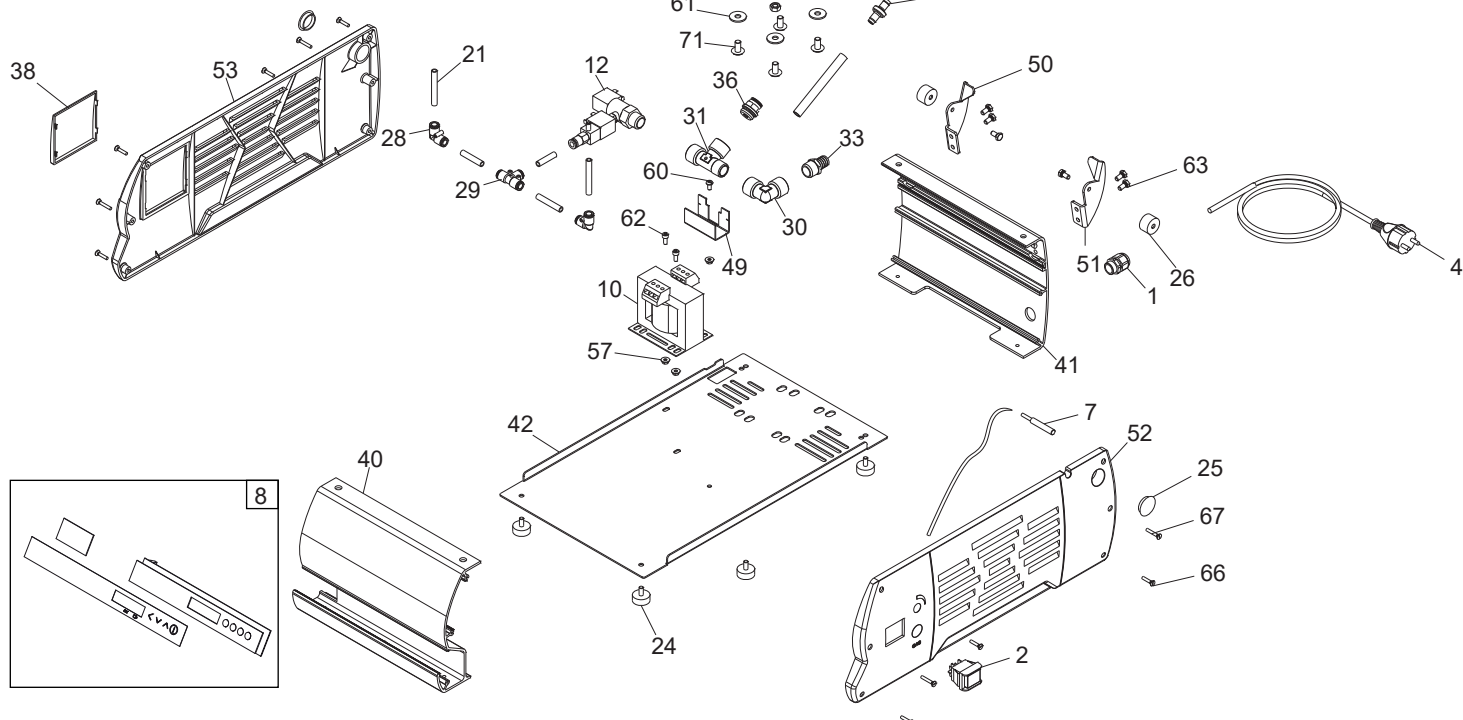
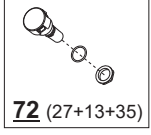
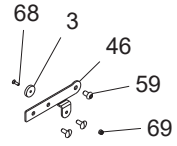
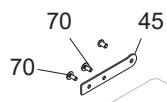
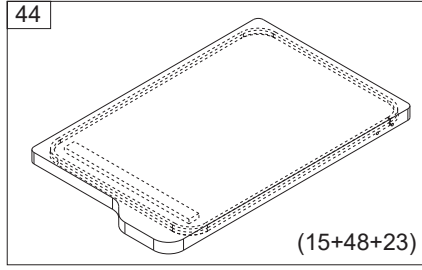


parts.code	parts.number	parts.name
IW1471220200	00	
LF1010063	01	STRAIN RELIEF PG 11
19410102	02	SCHALTER FUER AUFSCH.
LF1039712	03	MAGNET DIA.17 M634 NA BA
LF1061005	04	CAVO 3X1 CON SPINA SHUKO IP 44 L=3000
IW1071220010	05	VACUUM PUMP 4 CBM 1X200- 240 50/60HZ
IW1071220050	06	SEALING ELEMENT EASYVAC 25
IW1071220100	07	MAGNETIC MICROSWITCH DP08P1ABA0050
IW1471220425	8	TOUCH PANEL W8 30 TOUCH ASSEMBLED
IW1071240035	10	TRASFORMER, W8
IW1071240040	11	PISTON, SEALING BAR W8
IW1071240063	12	ELECTROVALVE 230V, W8
LF1271205	13	OR 2081 NBR70 20,35 X 1,78 SP
IW1471220010	15	GASKET SP 25
IW1471220012	16	NON-RETURN VALVE EASYVAC 25
IW1471220020	18	BARRA SALDANTE IN BACHELITE SP 25
IW1471220030	19	TEFLON TAPE EASYVAC 25
IW1471220044	20	TUBO ASPIRAZIONE 1/2 SP 25
IW1471220052	21	TUBO PISTONCINI SP 25
IW1471220058	22	TUBO 12X9 X VALVOLA SP 25
IW1471220060	23	SILICON BAR 25

parts.code	parts.number	parts.name
IW1471230005	24	PIEDINO M6 25X15 SH 60 SP 25
IW1471230105	25	TAPPO NERO CHIUS.FORO FIANCO SP 25
IW1471240017	26	ANTIVIBRATION 25X15 F/F M6 SRB 45SH
IW1471240070	28	CURVA 90° INN.RAP.TUBO PIST. D08
IW1471240073	29	RACC."T" INN.RAP TUBO PIST. D08
IW1471240083	30	CURVA 90°F 1/2 F 1/2 SP 25
IW1471240085	31	T JOINT F 1/2 M 1/2 W8
IW1471240102	32	NYLON SPACER D 4,2 H10
IW1471240135	33	PORTAGOMMA AI3040 D.16 1/2" SP
IW1471240137	34	EXTENS. F/M CYLIND. RA 16 14 12 IS-25
IW1471240188	36	RACCORDO DRITTO MASCHIO MA 121212
IW1471240189	37	RACCORDO A 90° GIREVOLE MB 181212
IW1471240195	38	COVER, LEFT SIDE
IW1571220010	39	FILTRO DISOLIATORE P.04 BUSH SP
IW2071220012	40	PROFILO ANT.CAR.FIAN. BOMBATI SP 25
IW2071220017	41	PROFILO POS.CAR.FIAN. BOMBATI SP 25
IW2071220019	42	FONDELLO CARENA FIAN. BOMBATI SP 25
IW2071220033	43	VASCA VERNICIATA SP 25
IW2071220043A	44	ASSEMBLED LID FOR EASYVAC 25
IW2071220056	45	HINGE COP. PLEX
IW2071220057	46	HINGE COP. PLEX X MAGNETE SP 25
IW2071220064	47	LAMIER.SUPP.COM.SCHEDA BASIC SP 25

parts.code	parts.number	parts.name
IW2071220067	48	UPPER BAR HOLDER WITH TAPE 25
IW2071220070	49	VALVE SUPPORT
IW2071220130	50	HINGE HOLDER RIGHT COP. PLEX 20
IW2071220135	51	HINGE HOLDER LEFT COP. PLEX 20
IW2071230029	52	RIGHT SIDE W8 30
IW2071230033	53	LEFT SIDE W8 30
IW2071240110	54	BUSHING, SEALING BAR W8
IW2071240125	55	FASCETTA TUBO ASP. VUOTO SP
IX2125003	56	WASHER DIN 125 D3
IX26923005	57	DADO ES. DIN 6923 M 5 FLANGIATO
IX26923006	58	HEX NUT DIN 6923 M 6 W/FLANGE
IX27380006010	59	SCREW TBEI ISO 7380 M 6X10
IX29021008024	61	PLAIN WASHER LARGE DIN 9021 D 8X24
IX2912005008	62	HEX.SOCKET CAP SCREW DIN 912 M 5X8
IX2933006012	63	SCREW TE DIN 933 M 6X12 T.F.
IX2934003	64	NUT DIN 934 M3
IX2934008	65	HEX.NUT DIN 934 M8
IX2963004020	66	VITE TSP- DIN 963 M 4X20
IX2963004025	67	SCREW TSP- DIN 963 M 4X25
IX2965003010	68	VITE TSP+ DIN 965 M 3X10
IX2982003	69	SELF-LOCKING HEX NUT DIN 982 M3 HIGH
IX2POEL005020	70	VITE POELIERS M 5X20
IW1471240250	72	AIR INTAKE COMPLETE W8SP
IW2071220210	75	SEALING BAR COMPLETE W8 30

parts.code	parts.number	parts.name
IW1571220010	420	FILTRO DISOLIATORE P.04 BUSH SP



44

(15+48+23)

72 (27+13+35)

420

8

40

24

42

57

10

62

49

30

60

31

36

71

61

65

5

34

37

20

55

35

13

27

39

11

58

43

19

6

18

54

5

24

42

57

10

62

49

30

60

31

36

71

61

65

5

34

37

20

55

35

13

27

39

11

58

43

19

6

18

54

5

25

67

66

7

52

2

63

51

1

26

50

16

22

33

3

46

59

68

3

46

59

69

00

4