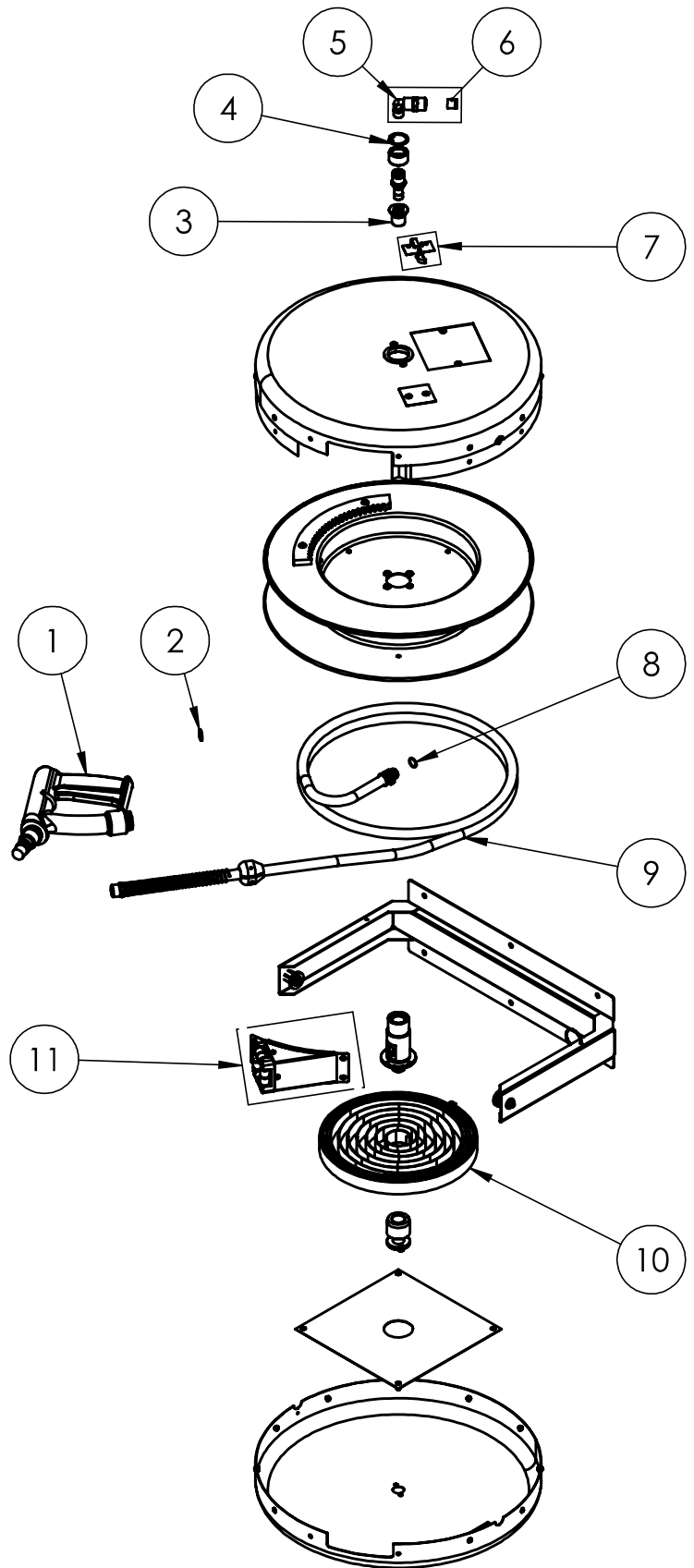


EXPLOSIONSZEICHNUNG



KBS Gastrotechnik GmbH – Schoßbergstraße 26 – 65201 Wiesbaden

ITEM NO.	SALES NO.	DESCRIPTION
1	P449	"NITO II" SPRAY GUN, female G1/2"
2	P074	FLAT GASKET 1/2" Ø18,5x11 sp.2mm
3	P333	BUSHING+O-RINGS
4	P206	JS SEEGER-RING (HEAVY DUTY) DIN 472
5	P203	90° COUPLING + CHECK VALVE
6	P030	CHECK VALVE DW15/DN10
7	P273	PLATE WITH SPRING AND PAWL
8	P097	O-RING 2056 (Ø14x1.78), EPDM70 PEROX
9	F134	NPS 10 x 20m HOSE REPLACEMENT KIT
10	P223	M15-M20 REEL SPRING
11	P387	M15-20 ROLLER REPAIR KIT



PRODUCT COMPLIANCE:

2006/42/EC
CE n. 1907/2006 Regulations
Directive 2002/95/CE; 2018/851SCIP

TITLE / DESCRIZIONE	DRN / DIS	CHD / VER	APPR
MAXIReel. Automatic, wall mount, swivel hose reel with 20m (NPS 10), Hototal EPDM retractable hose. Heavy duty "NITO II" COMBI spray gun with adjustable flow. G1/2" male inlet with built in check valve. AISI 304 stainless steel case and wall bracket.	E.Artini		
	SCALE / SCALA 1:12	DATE / DATA 01/07/22	SHEET / PAG 2 of 2
This drawing contains proprietary information which is the property of KLARCO S.R.L. without whose written permission it may not be copied, shown or handed to a third party or otherwise used	NUMBER / CODICE DIS.	MODEL / PRODOTTO	
Questo disegno contiene informazioni di proprietà di KLARCO S.R.L. e senza la sua autorizzazione scritta non può essere copiato, mostrato o ceduto a terzi o in qualsiasi altro modo usato		5R.M20.449	A4V