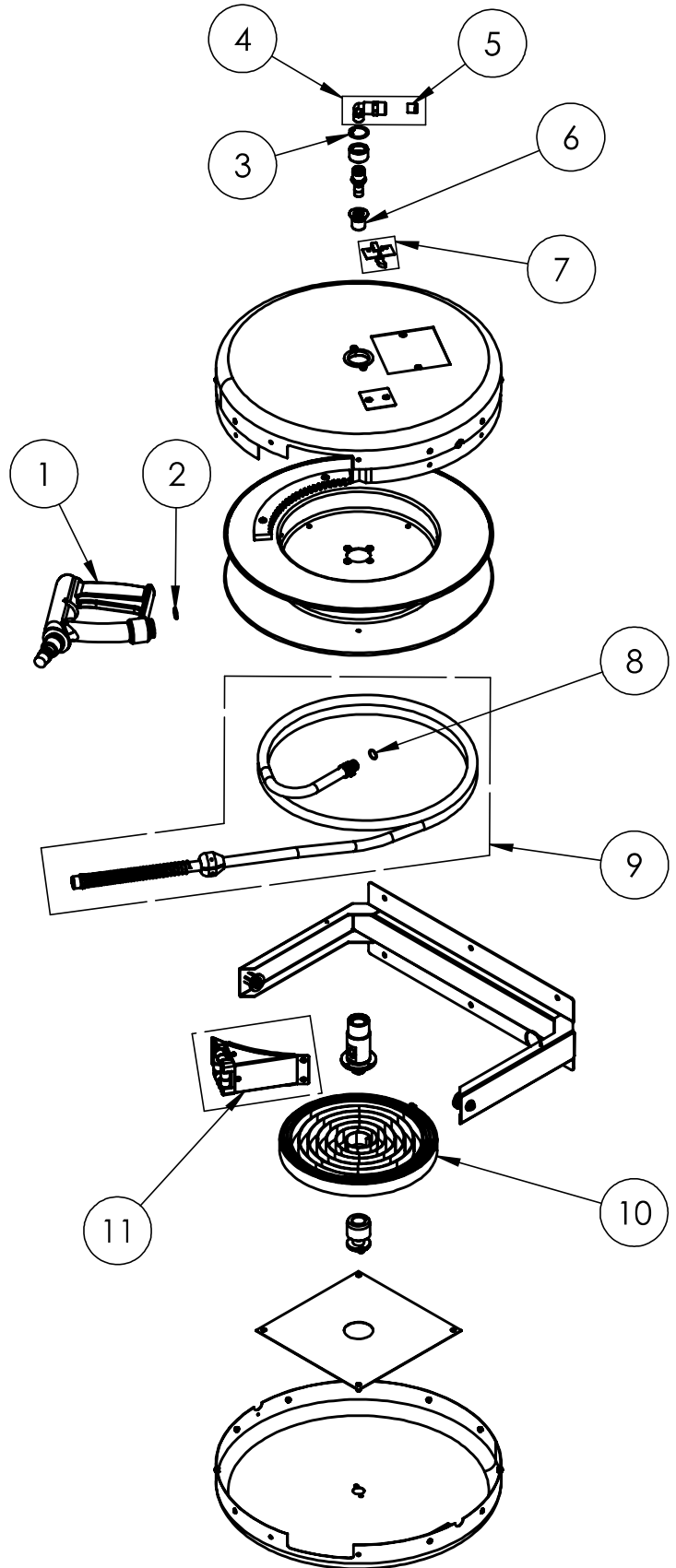


EXPLOSIONSZEICHNUNG



KBS Gastrotechnik GmbH – Schoßbergstraße 26 – 65201 Wiesbaden

ITEM NO.	SALES NO.	DESCRIPTION
1	P449	"NITO II" SPRAY GUN, female G1/2"
2	P074	FLAT GASKET 1/2" Ø18,5x11 sp.2mm
3	P206	JS SEEGER-RING (HEAVY DUTY) DIN 472
4	P203	SUPPLY CONNECTION + SHAFT + CHECK VALVE REPLACEMENT KIT
5	P030	CHECK VALVE DW15/DN10
6	P333	BUSHING+O-RINGS
7	P273	PLATE WITH SPRING AND PAWL
8	P097	O-RING 2056 (Ø14x1.78), EPDM70 PEROX
9	F135	NPS 10 x 15m HOSE REPLACEMENT KIT
10	P223	M15-M20 REEL SPRING
11	P387	M15-20 ROLLER REPAIR KIT



PRODUCT COMPLIANCE:

REACH 1907/2006;
2006/42/EC;

ONLY FOR HOSE: FDA

TITLE / DESCRIZIONE
MAXiReel. Automatic, wall mount, swivel hose reel with 15m (NPS10) Hototal EPDM rubber retractable hose. Heavy duty "NITO II" COMBI spray gun with adjustable flow. G1/2" male inlet with built-in check valve. AISI 304 stainless steel case and wall bracket.

DRN / DIS

CHD / VER

APPR

SCALE /
SCALA 1:12

DATE /
DATA 13/06/203

SHEET / PAG
2 of 2

NUMBER / CODICE DIS.

MODEL / PRODOTTO

5R.M15.449

This drawing contains proprietary information which is the property of KLARCO S.R.L. without whose written permission it may not be copied, shown or handed to a third party or otherwise used

Questo disegno contiene informazioni di proprietà di KLARCO S.R.L. e senza la sua autorizzazione scritta non può essere copiato, mostrato o ceduto a terzi o in qualsiasi altro modo usato

A4V