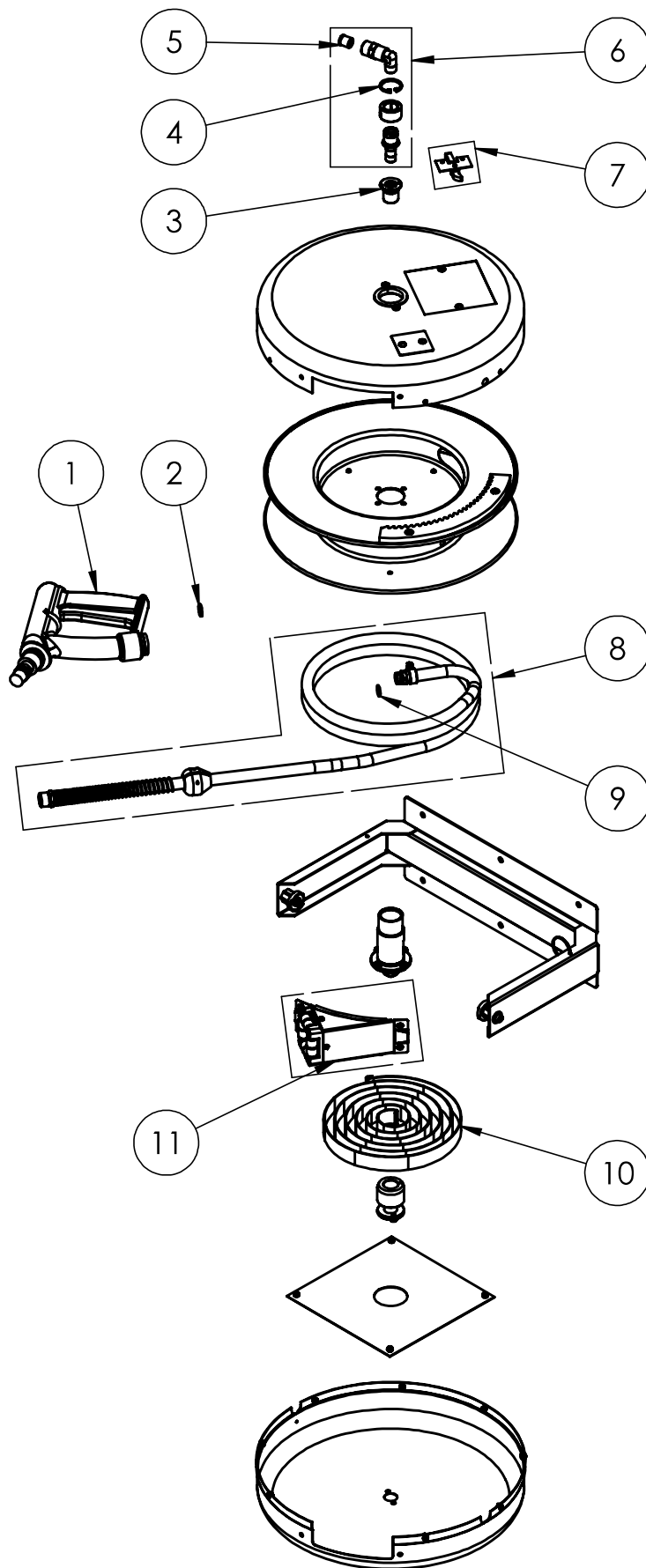


# EXPLOSIONSZEICHNUNG



KBS Gastrotechnik GmbH – Schoßbergstraße 26 – 65201 Wiesbaden

| ITEM NO. | SALES NO. | DESCRIPTION  |
|----------|-----------|--|
| 1        | P449      | "NITO II" SPRAY GUN, female G1/2"                      |
| 2        | P074      | FLAT GASKET 1/2" Ø18,5x11 sp.2mm                       |
| 3        | P333      | BUSHING+O-RINGS  |
| 4        | P206      | JS SEEGER-RING (HEAVY DUTY) DIN 472                    |
| 5        | P030      | CHECK VALVE DW15/DN10                                  |
| 6        | P203      | SUPPLY CONNECTION + SHAFT + CHECK-VALVE REPLACEMENT KI |
| 7        | P273      | PLATE WITH SPRING AND PAWL                             |
| 8        | F136      | NPS 10 x 10m HOSE REPLACEMENT KIT                      |
| 9        | P097      | O-RING 2056 (Ø14x1.78), EPDM70 PEROX                   |
| 10       | P201      | M10 REEL SPRING  |
| 11       | P350      | M10 ROLLER REPAIR KIT                                  |
| 12       | P203      | 90° COUPLING + CHECK VALVE                             |



**PRODUCT COMPLIANCE:**

ROHS 2011/65/UE;  
REACH 1907/2006;  
2006/42/EC;

**ONLY FOR HOSE:** FDA

TITLE / DESCRIZIONE

MAXIReel. Automatic wall mount swivel hose reel with 10m (NPS10) Hototal EPDM retractable hose. Heavy duty "NITO II" COMBI spray gun with adjustable flow. G1/2" male inlet with built in check valve. AISI 304 stainless steel case and wall bracket.

DRN / DIS

E.Artini

CHD / VER

APPR

SCALE / SCALA

1:10

DATE / DATA

08/08/22

SHEET / PAG  
2 of 2

This drawing contains proprietary information which is the property of KLARCO S.R.L. without whose written permission it may not be copied, shown or handed to a third party or otherwise used

Questo disegno contiene informazioni di proprietà di KLARCO S.R.L. e senza la sua autorizzazione scritta non può essere copiato, mostrato o ceduto a terzi o in qualsiasi altro modo usato

NUMBER / CODICE DIS.

MODEL / PRODOTTO

5R.M10.449

A4V