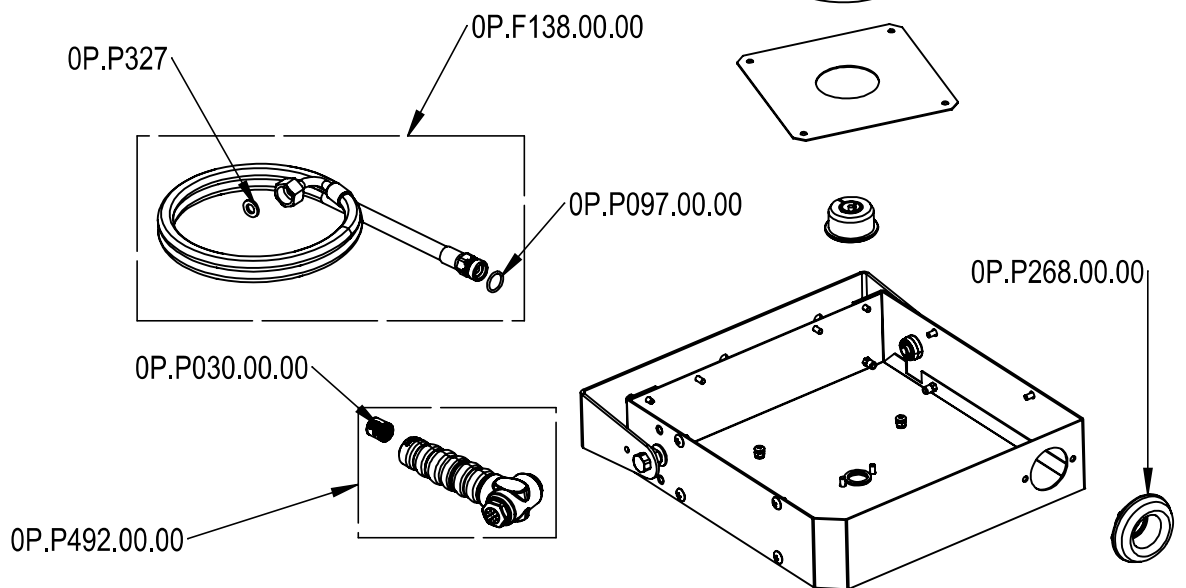
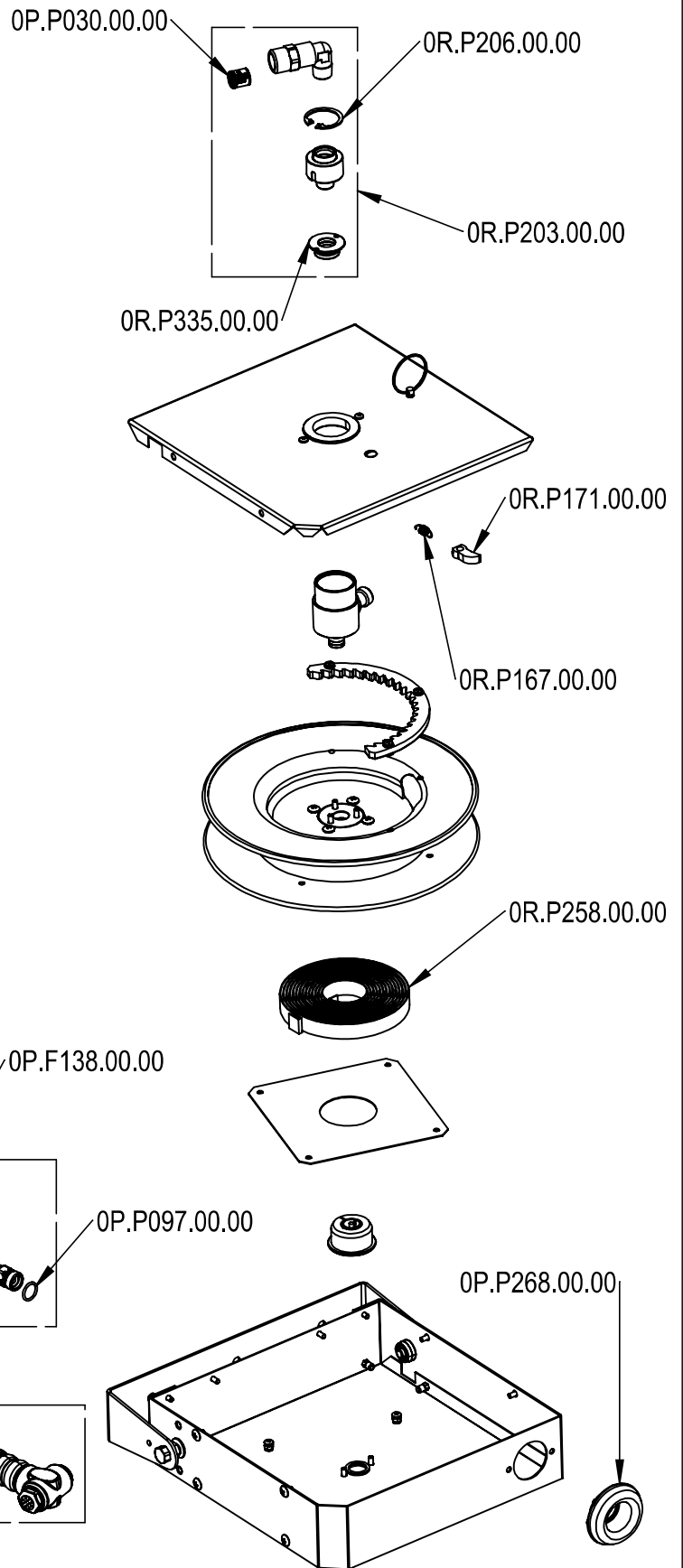


EXPLOSIONSZEICHNUNG



KBS Gastrotechnik GmbH – Schoßbergstraße 26 – 65201 Wiesbaden

SALES NO.	DESCRIPTION
0P.P030.00.00	Check valve 1/2" RV15-DN10
0R.P206.00.00	Spring clip for Minireel, M3, M6, M10, M15, M20
0R.P335.00.00	Bush in brass with 3 O-RINGS for MINI- and MIDIREel
0R.P203.00.00	Elbow Connector for MIDI 6M/MAXIREel
0R.P171.00.00	Pawl for Spring
0R.P167.00.00	Spring for Pawl
0R.P258.00.00	Retraction Spring for MIDIREel M3
0P.F138.00.00	EPDM Hose for MIDIREel 4M
0P.P097.00.00	O-RING 2056 (Ø14x1.78), EPDM70 PEROX
0P.P327	Flat Gasket 3/8" Fasit Omnia
0P.P268.00.00	Black Plastic Sleeve for Spray Gun
0P.P492.00.00	Spray valve, conn.F3/8", black spray face, shower spray pattern + check valve



TITLE / DESCRIZIONE

MIDIReel. Automatic wall mount swivel hose reel, with 4m EPDM retractable hose. Heavy duty "ECO/P" spray valve with multi-holes outlet and check valve. AISI 304 stainless steel case and wall bracket.