

TITLE / DESCRIZIONE

60 cm-tall SHRINK Single hole, mixing temperature, deck mount Pre-Rinse Unit with riser add-on faucet with 170mm swivel nozzle. 50mm-long mounting shank, G3/8" female inlets with check valves, G3/4" high flow compression headworks, riser tube and spring - stainless steel, brass, chrome plated, black colors and chrome plated details. 14L/min KLARCO P529 spray valve.

This drawing contains proprietary information which is the property of KLARCO S.R.L. without whose written permission it may not be copied, shown or handed to a third party or otherwise used

Questo disegno contiene informazioni di proprietà di KLARCO S.R.L. e senza la sua autorizzazione scritta non può essere copiato, mostrato o ceduto a terzi o in qualsiasi altro modo usato

DRN / DIS

CHD / VER

APPR

SCALE / SCALA

1:7

DATE / DATA

25/03/2020

SHEET / PAG

1 of 2

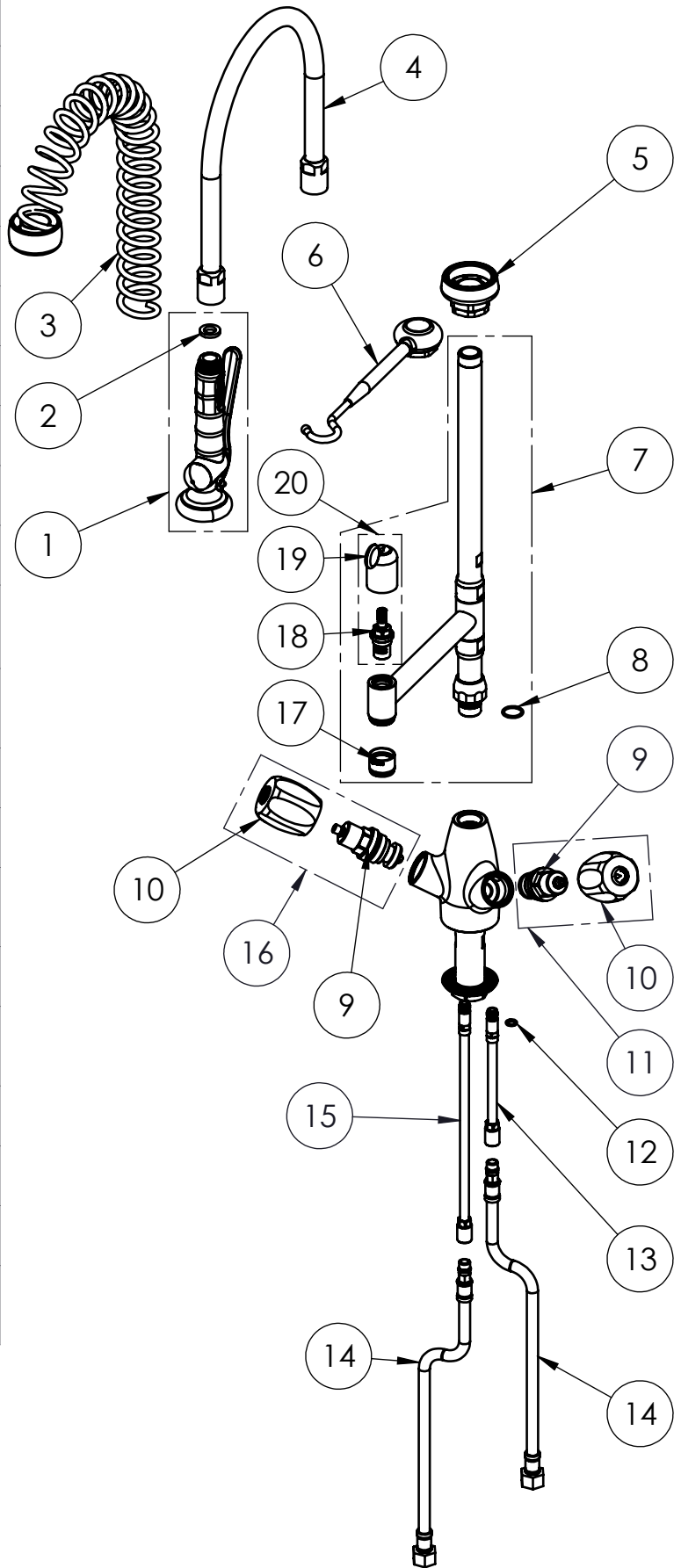
NUMBER / CODICE DIS.

MODEL / PRODOTTO

360CN.R020

A4V

ITEM NO.	SALES NO.	DESCRIPTION
1	P529/"color"	SPRAY VALVE "SEMI" (specify the color)
2	P610	GASKET 1/2" Ø18,5x11 sp.3mm, FASIT OMNIA
3	P635/"color"	OVERHEAD SPRING SH60-70 INOX (specify the color)
4	F153	Flexinox 60cm Ø14 (Øint.8) F1/2" F1/2"
5	P007	SPRING CHROMED SUPPORT
6	P580	SPRAY VALVE HOOK CHROMED PLATED
7	P606/D1/DT	KL60 RISER W.ADD ON TAP L.170 AND O-RING
8	P076	O-RING 2062 (Ø15.6x1.78), EPDM 70 PEROX
9	V010	3/4" HEADWORK
10	H001/color	"EUROP" HANDLE W. COLOR CODED INDEX (specify the color B or R)
11	V011/B	COMPLETE HANDLE W.BLUE CODED INDEX + HEADWORK KIT
12	P158	O-RING 106 (Ø6.75x1.78), EPDM 70
13	P616	EXTENSION COPPER PIPE L.140mm w.O-RING
14	F181	L.35cm Flex S.S. Hose Ø10-DN6X Female G3/8" W.Backflow Preventer (C)
15	P618	EXTENSION COPPER PIPE L.250mm w.O-RING
16	V011/R	COMPLETE HANDLE W.RED CODED INDEX + HEADWORK KIT
17	P626	5l/min STREAM REGULATOR OUTLET (Ø20 SPOUT)
18	V0D0	3/8" CERAMIC HEADWORK (RH)
19	HTC/R	"TOP" HANDLE W.RED CODED INDEX
20	V0DT/R	COMPLETE HANDLE W.RED CODED INDEX + CERAMIC HEADWORK KIT



TITLE / DESCRIZIONE
60 cm-tall SHRINK Single hole, mixing temperature, deck mount Pre-Rinse Unit with riser add-on faucet with 170mm swivel nozzle. 50mm-long mounting shank, G3/8" female inlets with check valves, G3/4" high flow compression headworks, riser tube and spring - stainless steel, brass, chrome plated, black colors and chrome plated details. 14L/min KLARCO P529 spray valve.

This drawing contains proprietary information which is the property of KLARCO S.R.L. without whose written permission it may not be copied, shown or handed to a third party or otherwise used

Questo disegno contiene informazioni di proprietà di KLARCO S.R.L. e senza la sua autorizzazione scritta non può essere copiato, mostrato o ceduto a terzi o in qualsiasi altro modo usato

DRN / DIS	CHD / VER	APPR
SCALE / SCALA 1:6	DATE / DATA 25/03/2020	SHEET / PAG 2 of 2
NUMBER / CODICE DIS.	MODEL / PRODOTTO 360CN.R020	A4V