



T&S BRASS AND BRONZE WORKS, INC.

2 Saddleback Cove / P.O. Box 1088
Travelers Rest, SC 29690

Model No.

EU-3132-VF05

Item No.

Travelers Rest, SC: 800-476-4103 • Simi Valley, CA: 800-423-0150 • Fax: 864-834-3518 • www.tsbrass.com



ADA Compliant



This Space for Architect/Engineer Approval

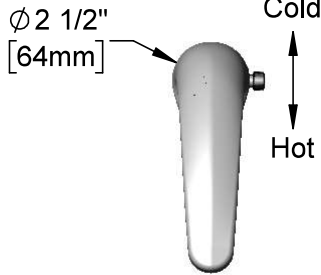
Job Name _____ Date _____

Model Specified _____ Quantity _____

Customer/Wholesaler _____

Contractor _____

Architect/Engineer _____



Internal Above Deck Electronics w/ Flow Control Setting Switches. Powered w/ 6 VDC Lithium Battery.

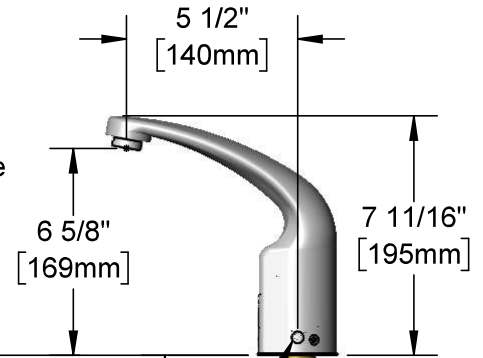
Removable Anti-Rotation Pin

13/16" [21mm]

Mounting Surface

Cast Spout w/ B-0199-08-N05 0.5 GPM [1.9 L/min] Vandal Resistant Non-Aerated Spray Device

Temperature Mixing Handle w/ Color Coded Index (Optional Plug Included to Replace Handle When Temperature is Preset)



1 3/4" [45mm] Maximum Thickness

Shown w/ Optional Plug Installed When Water Temperature is Preset (Included)

18" [457mm] Flexible Stainless Steel Supply Hoses

Check Valve Adapters w/ 1/2" NPSM Inlets (Compatible w/ G1/2 Threads) & Filter Washers

1/2" NPSM Male x G3/8 Female Adapters w/ Sealing Washers

5EF-0011C EU Transformer 100-240 VAC Adapter w/ 72" [1830mm] Power Cord

Rough-In Requirement:

- Ø 1 1/4" [32mm] Mounting Hole
- Ø 3/16" [5mm] Anti-Rotation Pin Hole (Optional)

Product Specifications:

Chrome Plated Brass Above Deck Electronics Faucet, Single Hole Deck Mount, Cast Spout w/ 0.5 GPM VR Non-Aerated Spray Device, Point-of-Use Temperature Control, Battery or AC Adapter Powered, EU Transformer, Stainless Steel Flexible Supply Lines & G3/8 Female Inlet Adapters

Product Compliance:

ASME A112.18.1 / CSA B125.1
NSF 61 - Section 9
NSF 372 (Low Lead Content)
ANSI A117.1 (ADA)
UL 1951