

# EXPLOSIONSZEICHNUNG



KBS Gastrotechnik GmbH – Schoßbergstraße 26 – 65201 Wiesbaden



# T&S BRASS AND BRONZE WORKS, INC.

2 Saddleback Cove / P.O. Box 1088  
Travelers Rest, SC 29690

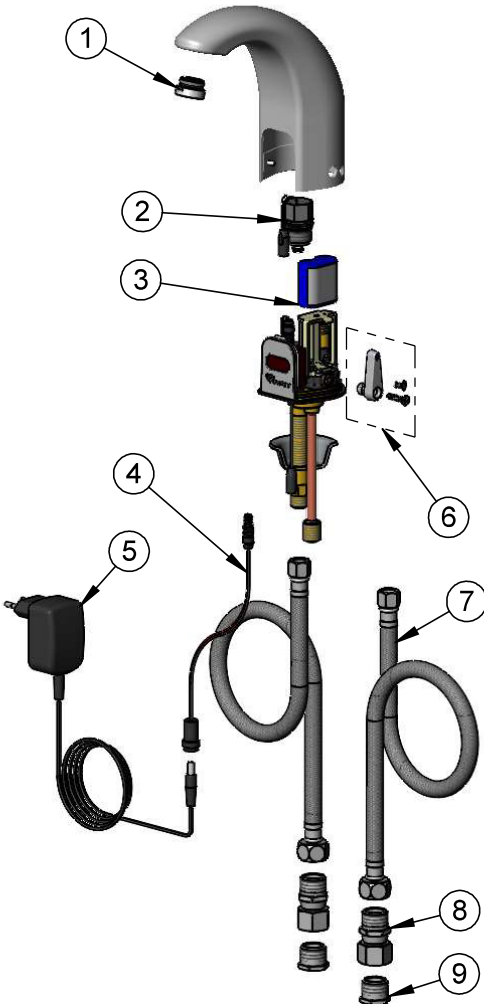
Model No.

**EU-3142-VF05**

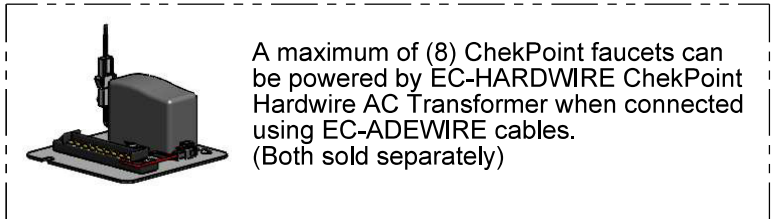
Item No.

Travelers Rest, SC: 800-476-4103 • Simi Valley, CA: 800-423-0150 • Fax: 864-834-3518 • www.tsbrass.com

ITEM NO.	SALES NO.	DESCRIPTION
1	B-0199-08-N05	0.5 GPM VR Spray Device, 13/16-27 Male with VR Key
2	020330-45	Solenoid Valve, M22 x 2 Male Thd
3	019087-45	6VDC Lithium Battery, CR-P2
* 4	020417-45	Aux. Power Connector Cable
* 5	5EF-0011C	AC Adapter - EU Type Plug
* 6	020270-45	Lever Asm & Body Screw Kit w/ L-Key
7	5EF-0005	Supply Hose, 9/16-24 Female x 1/2" NPSM
8	019562-45	Check Valve Adapter, 1/2" NPSM
9	020498-25	Hex Bushing, G3/8 Female x 1/2" NPSM Male w/ Sealing Washer
* 10	020426-40	Body Plug, Pre-Set Temperature



\* For Versions Prior to 2024, Consult with T&S Customer Service



Optional Plug Replaces  
Lever Handle When  
Pre-setting Temperature  
(Installs from Inside of Body)

020760-45  
Sensor Range  
Set-Up Magnet

015425-45  
VR Aerator Key

018543-45  
Torx T-20  
VR L-Key

Flow Control Switches are Located Behind the Sensor.  
Remove Battery to Access Switches.

\* Switches are set to DEFAULT position:

- Auto Time Out = 15 seconds
- Shut Off Delay = 1 second
- Auto Flush = OFF
- Metering Mode = OFF

\* Available Water Flow Control Selections:

- Auto Time Out: 15 sec, 30 sec, 45 sec, 60 sec, 3 min, 20 min
- Shut Off Delay: 1 sec, 10 sec, 15 sec, 30 sec
- Auto Flush (30 Seconds After Every 12 Inactive Hours): ON or OFF
- Metering Mode: ON or OFF

**Product Specifications:**

Chrome Plated Brass Above Deck Electronics Faucet, Single Hole Deck Mount, Cast Spout w/ 0.5 GPM VR Non-Aerated Spray Device, Point-of-Use Temperature Control, Battery or AC Adapter Powered, EU Transformer, Stainless Steel Flexible Supply Lines & G3/8 Female Inlet Adapters

**Product Compliance:**

ASME A112.18.1 / CSA B125.1  
NSF 61 - Section 9  
NSF 372 (Low Lead Content)  
ANSI A117.1 (ADA)  
UL 1951