



T&S BRASS AND BRONZE WORKS, INC.

2 Saddleback Cove / P.O. Box 1088
Travelers Rest, SC 29690

Model No.
CEF-EU1DS-VF05

Item No.

Travelers Rest, SC: 800-476-4103 • Simi Valley, CA: 800-423-0150 • Fax: 864-834-3518 • www.tsbrass.com

This Space for Architect/Engineer Approval

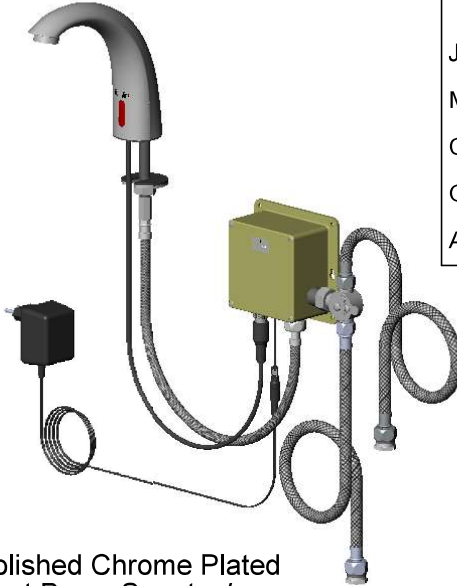
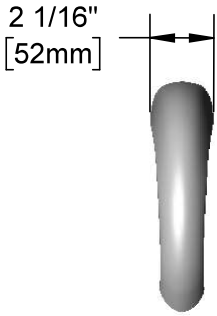
Job Name _____ Date _____

Model Specified _____ Quantity _____

Customer/Wholesaler _____

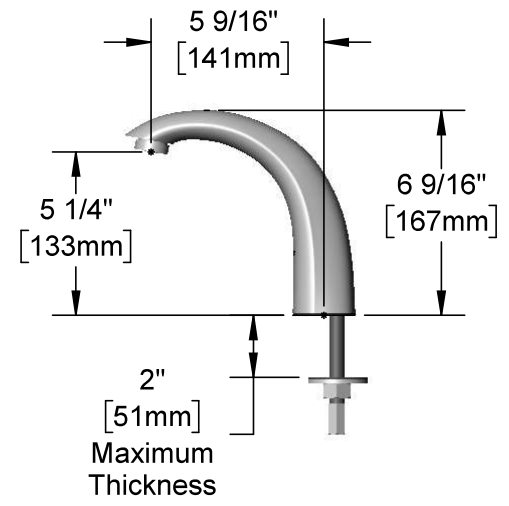
Contractor _____

Architect/Engineer _____



Polished Chrome Plated
Cast Brass Spout w/
Vandal Resistant 0.5 GPM
Non-Aerated Spray Device

Control Module Box w/
Integral Inlet Filter.
AC or DC Powered.
(4) AA Batteries Included.



4 3/4"
[120mm]

4 15/16"
[125mm]

Mechanical Temperature
Mixing Valve

Flexible Supply Hoses
w/ G 1/2" Female Inlets

Adapters, G 3/8" Female x
1/2" NPSM Male
(Compatible with G 1/2")

230 VAC Adapter w/
I.E.C. Type C (EU) Plug and
55" [1400mm] Long Cord

Rough-In Requirement:
Ø 1 1/4" [32mm] Mounting Hole

Product Specifications:
Single Hole Deck Mount Sensor Faucet w/ Cast Spout, VR 0.5 GPM
Non-Aerated Spray Device, Control Module, AC Adapter w/ EU Plug,
Mechanical Mixing Valve and Flexible Supply Hoses w/ G 3/8" Female Inlet
Adapters

Product Compliance: