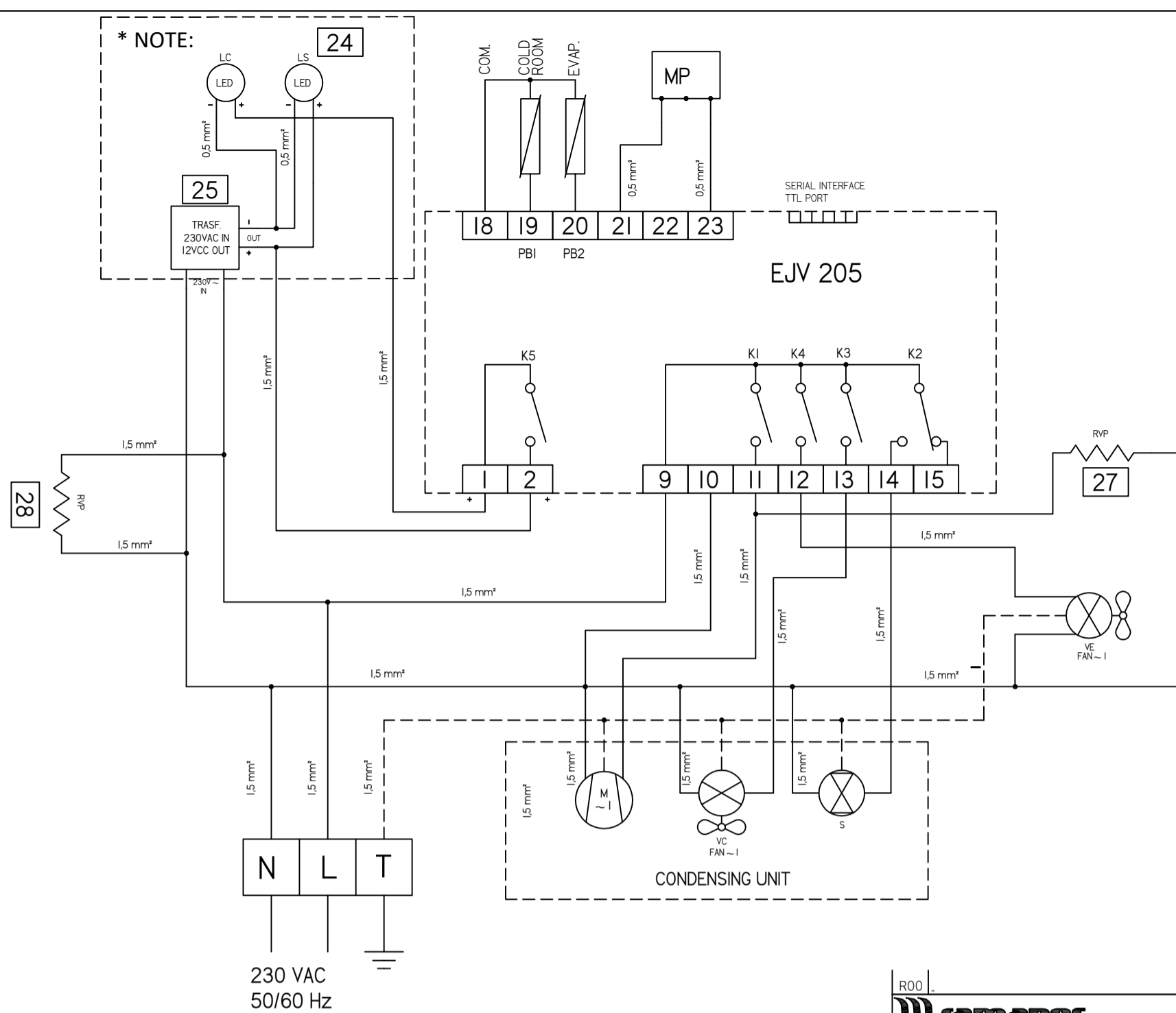


SCHALTPLAN



KBS Gastrotechnik GmbH – Schoßbergstraße 26 – 65201 Wiesbaden



*NOTE:
LED OPTIONAL

R00

 516000072 GELATO--GL 1000 P BT (PV-INOX) R290

DIDASCALIA		
		DESCRIZIONE
LC	1	LED INTERNO CELLA
K5	2	LED
	9	FASE MODULO EVJ205
	10	NEUTRO MODULO EVJ205
K1	11	COMPRESSORE (M)
K4	12	VENTILATORE EVAPORATORE (VE)
K3	13	VENTILATORE CONDENSATORE (VC)
K2	14	SOLENOIDE DI SBRINAMENTO (S)
	18	COMUNE SONDE
	19	SONDA CELLA
	20	SONDA EVAPORATORE
	21	COMUNE MICRO PORTA
MP	23	MICRO PORTA
LS	24	LED SCRITTA SAMAREF
TR	25	TRASFORMATORE 12V 16W (700 LT TN)
RCP	27	RESISTENZA CORNICE PORTA
RVP	28	RESISTENZA VALVOLA COMPENSAZIONE

Zeichenerklärung		
		Beschreibung
LC	1	LED-Innenbeleuchtung
K5	2	LED
	9	Phase Mod EVJ205
	10	Neutral Mod EVJ205
K1	11	Kompressor (M)
K4	12	Verdampferlüfter (VE)
K3	13	Kondensatorlüfter (VC)
K2	14	Magnetventil Abtauung (S)
	18	Gemeinsame Probe
	19	Kühlzelle Probe
	20	Verdampfer Probe
	21	Gemeinsame Tür-Mikroschalter
MP	23	Tür-Mikroschalter
LS	24	SAMAREF Logo LED-Beleuchtung
TR	25	Trasformator 12V16W für 700TN
RCP	27	Widerstand Türdichtung
RVP	28	AUSGLEICHVENTILWIDERSTAND

Zeichenerklärung		
		DESCRIPTION
LC	1	INTERNAL CELL LED
K5	2	LED
	9	MODUL PHASE EVJ205
	10	MODUL NEUTRAL EVJ205
K1	11	COMPRESSOR (M)
K4	12	EVAPORATOR FAN (VE)
K3	13	CONDENSER FAN (VC)
K2	14	SOLENOIDE DI SBRINAMENTO (S)
	18	COMMON PROBE
	19	CELL PROBE
	20	EVAPORATOR PROBE
	21	COMMON MICRO SWITCH
MP	23	MICRO SWITCH DOOR
LS	24	LOGO SAMAREF LED
TR	25	ADAPTER 12V 16W (700 LT TN)
RCP	27	RESISTANCE DOOR
RVP	28	COMPENSATION VALVE RESISTANCE

R00

 516000072 GELATO--GL 1000 P BT (PV-INOX) R290