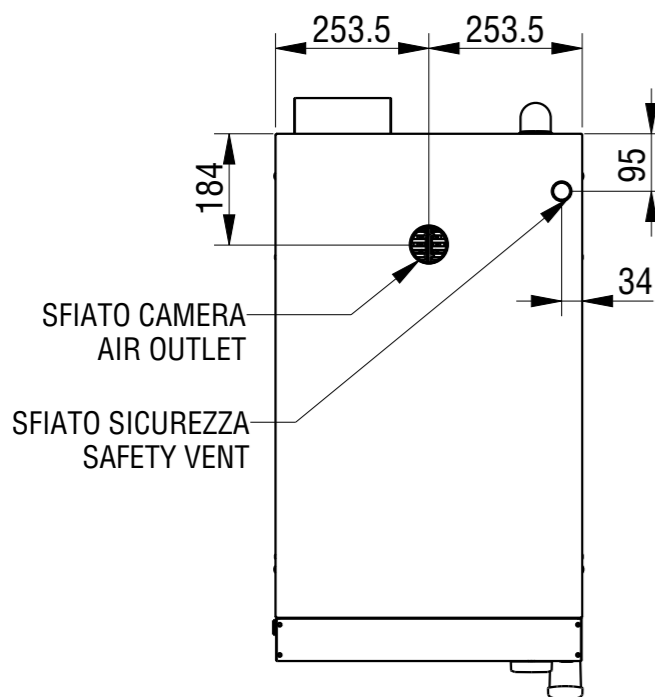
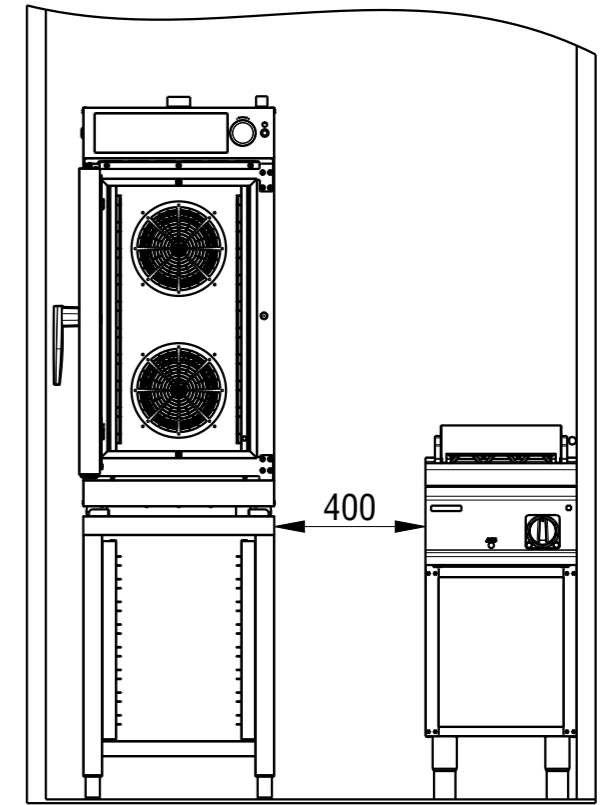


RISPETTARE LE DISTANZE MINIME INDICATE
RESPECT MINIMUM DISTANCE AS INDICATED



BASE DISPONIBILE SOLO PER MODELLI ECM10 / ECM06
BASE AVAILABLE FOR ECM10 / ECM06 MODELS ONLY

