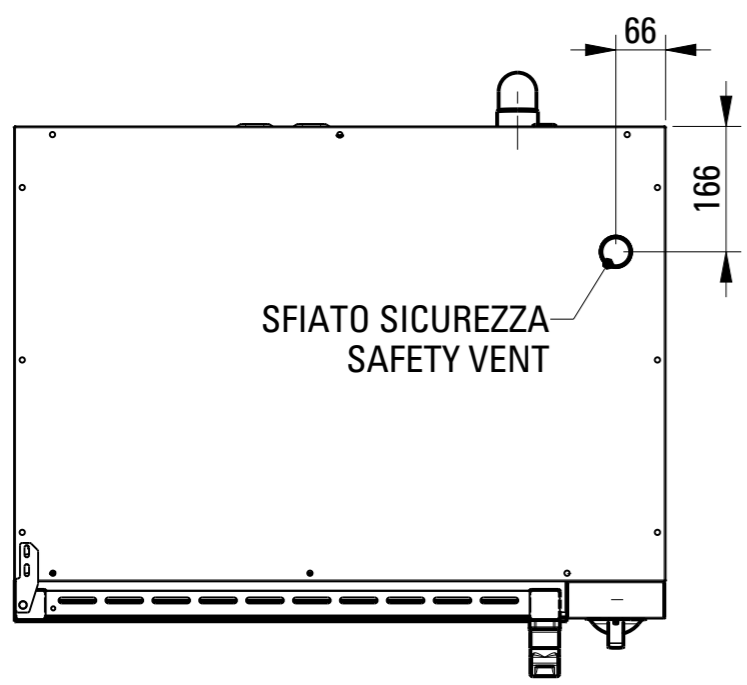
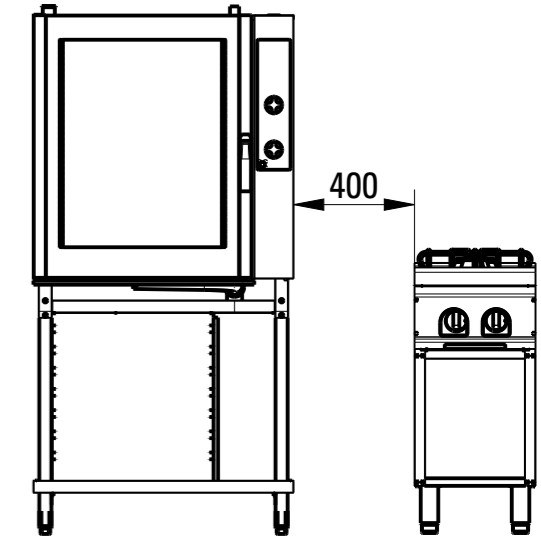


RISPETTARE LA DISTANZA MINIMA INDICATA
RESPECT THE MINIMUM DISTANCE AS INDICATED



3/4" INGRESSO ACQUA ADDOLCITA
3/4" SOFTENED WATER INLET

DET. A
SC.0.400

