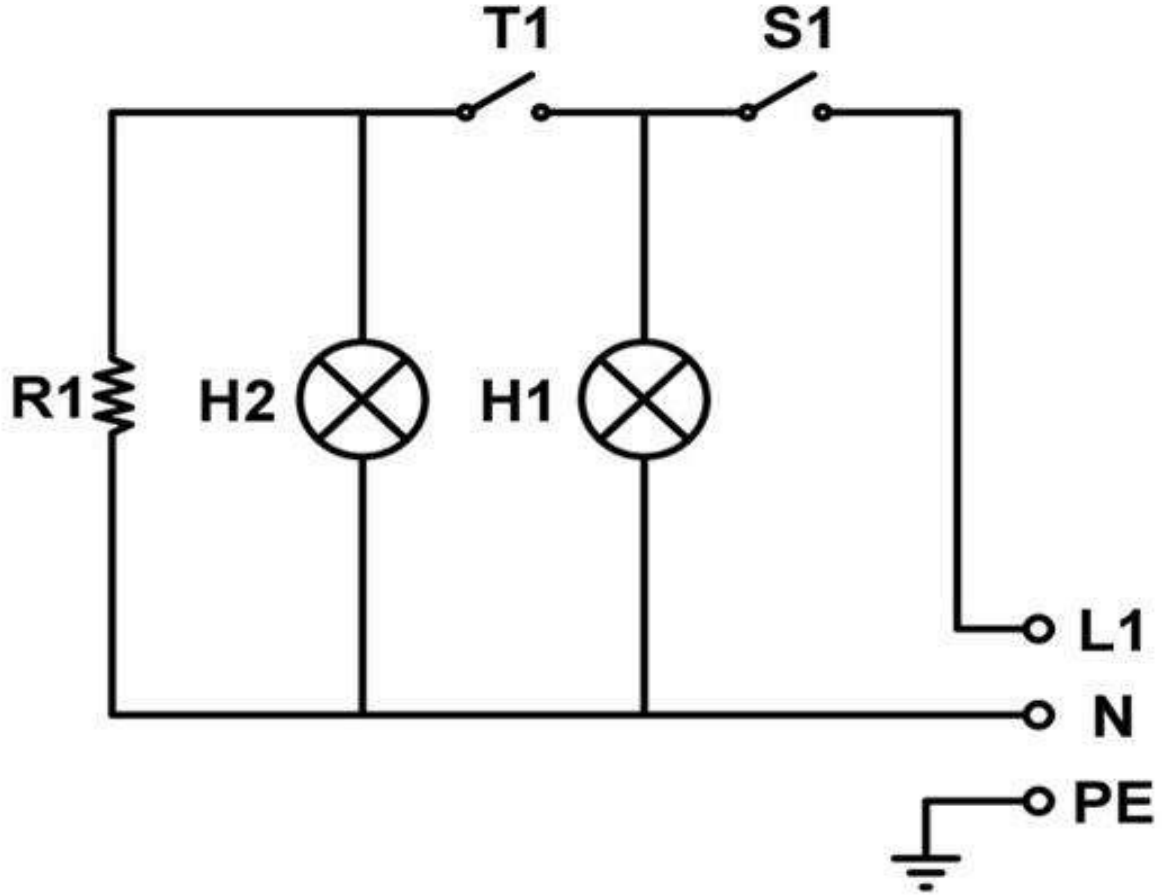


# SCHALTPLAN



KBS Gastrotechnik GmbH – Schoßbergstraße 26 – 65201 Wiesbaden

**CR - E 40 KREP MAKİNASI - ELEKTRİK ŞEMASI**  
**CR - E 40 CREPE MACHINE - ELECTRICAL CIRCUIT DIAGRAM**



NO	AÇIKLAMA / DESCRIPTION	NO	AÇIKLAMA / DESCRIPTION
R1	Rezistans / Resistance ( 3000 W )	H1	Şalter Kontrol Lambası ( Kırmızı ) Power Switch Control Lamps ( Red )
S1	Şalter / Power Switch	H2	Termostat Kontrol Lambası ( Yeşil ) Thermostat Control Lamps ( Green )
T1	Termostat / Thermostat ( 52 - 310 °C )		