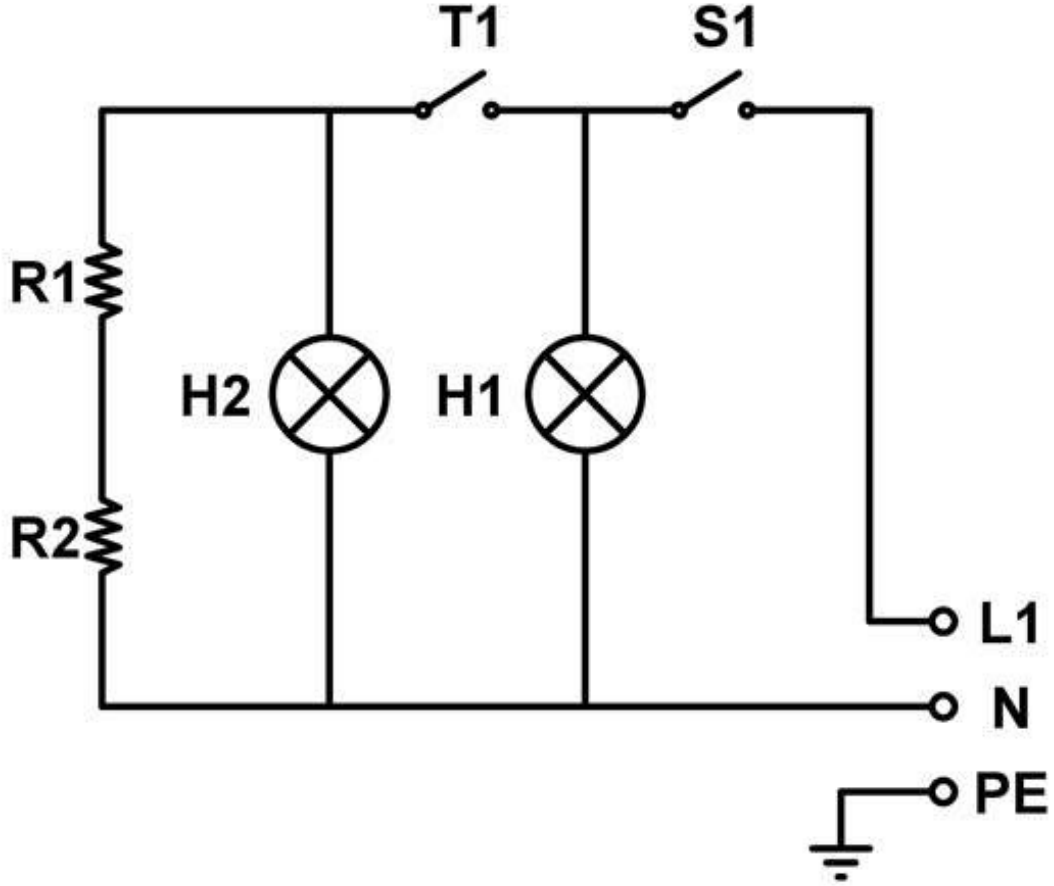


SCHALTPLAN



KBS Gastrotechnik GmbH – Schoßbergstraße 26 – 65201 Wiesbaden

KG 2735 E TOST MAKİNASI - ELEKTRİK ŞEMASI
KG 2735 E CONTACT GRILL - ELECTRICAL CIRCUIT DIAGRAM



NO	AÇIKLAMA / DESCRIPTION	NO	AÇIKLAMA / DESCRIPTION
R1	Rezistans / Resistance (1300 W)	S1	Şalter / Power Switch
R2	Rezistans / Resistance (1200 W)	H1	Şalter Kontrol Lambası Power Switch Control Lamps
T1	Termostat / Thermostat (52 - 310 °C)	H2	Termostat Kontrol Lambası Thermostat Control Lamps