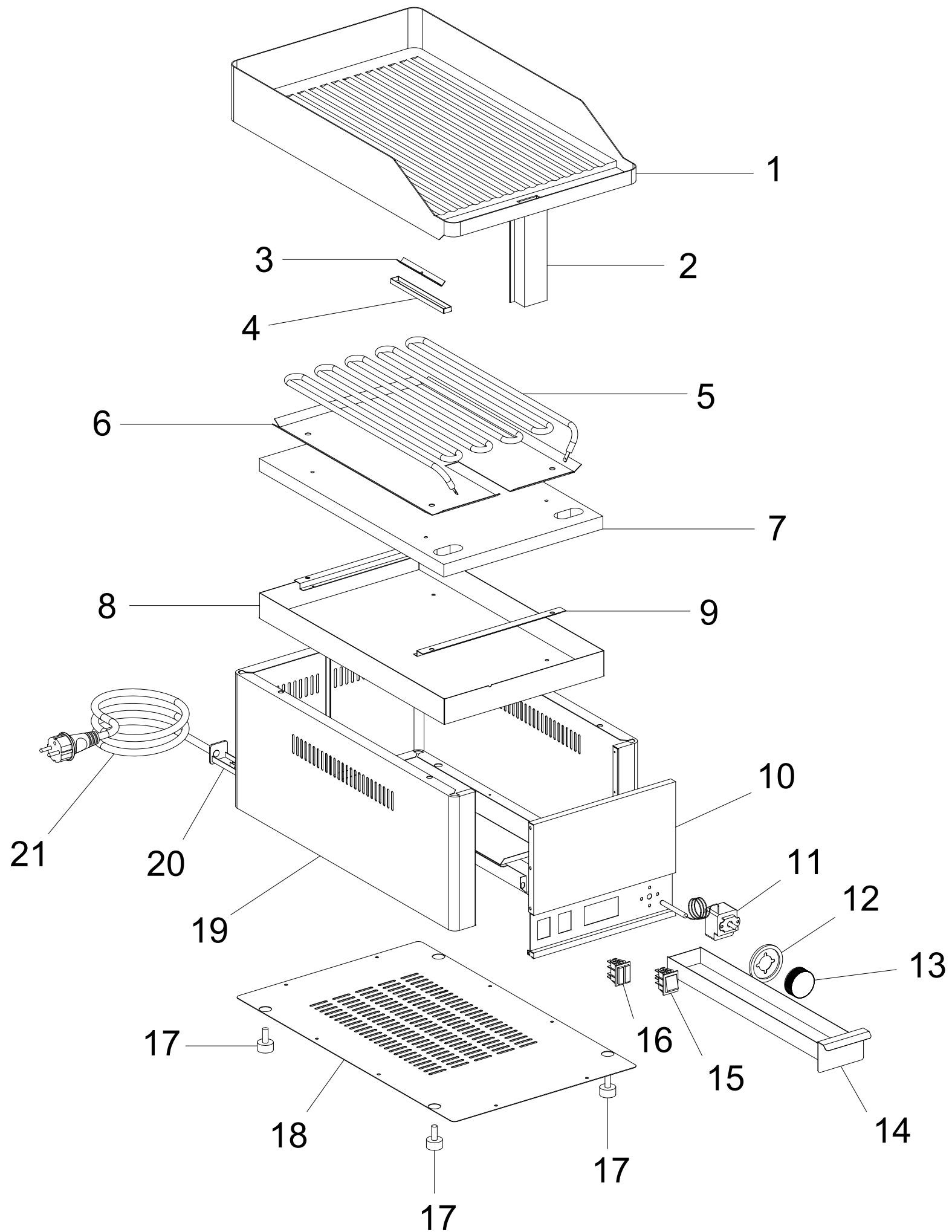


# EXPLOSIONSZEICHNUNG



KBS Gastrotechnik GmbH – Schoßbergstraße 26 – 65201 Wiesbaden



## FRY1L/R/LC/RC-2L/LR/LC/LRC

Pos. Ref.	Codice Code		Caratteristiche Features	Descrizione Description	
1	CO0353		(FRY1R) grooved	Piano	Surface
1	CO6490		(FRY1RC) grooved chromium-plated	Piano	Surface
1	CO0355		(FRY1L) smooth	Piano	Surface
1	CO6491		(FRY1L) smooth chromium-plated	Piano	Surface
1	CO0356		(FRY2L) smooth	Piano	Surface
1	CO6492		(FRY2LC) smooth chromium-plated	Piano	Surface
1	CO0357		(FRY2LR) smooth-grooved	Piano	Surface
1	CO6493		(FRY2LRC) smooth-grooved chromium	Piano	Surface
3	CO0880		smooth	Staffa	Stirrup
3	CO0881		grooved	Staffa	Stirrup
4	CO0882			Piastra	Plate
5	CO0864		230V/1Ph/50-60Hz	Resistenza	Resistance
5	CO4902		12/05/09 f.p.(*)	Resistenza	Resistance
10	CO6417		(FRY1L/R/LC/RC)	Pannello	Panel
10	CO7167		(FRY2L/R/LC/RC)	Pannello	Panel
11	CO4883	●		Termostato	Thermostat
12	CO4904			Ghiera	Locking ring
13	SL3550			Pomello	Knob
14	CO0883			Cassetto	Tray
15	SL3322	●		Interruttore	Switch
16	SL3323	●		Lampada	Lamp
17	CO4903			Piedino	Foot
18	CO7168		(FRY1L/R/LC/RC)	Fondo	Bottom
18	CO7169		(FRY2L/R/LC/RC)	Fondo	Bottom
19	CO8387		(FRY1L/R/LC/RC)	Carcassa	Housing
20	CO0878			Pressacavo	Cable clamp
21	CO0876		1Ph+N+Gnd	Cavo elettrico	Electric cable

(\*): fuori produzione / out of production

● : ricambio consigliato / spare part suggested