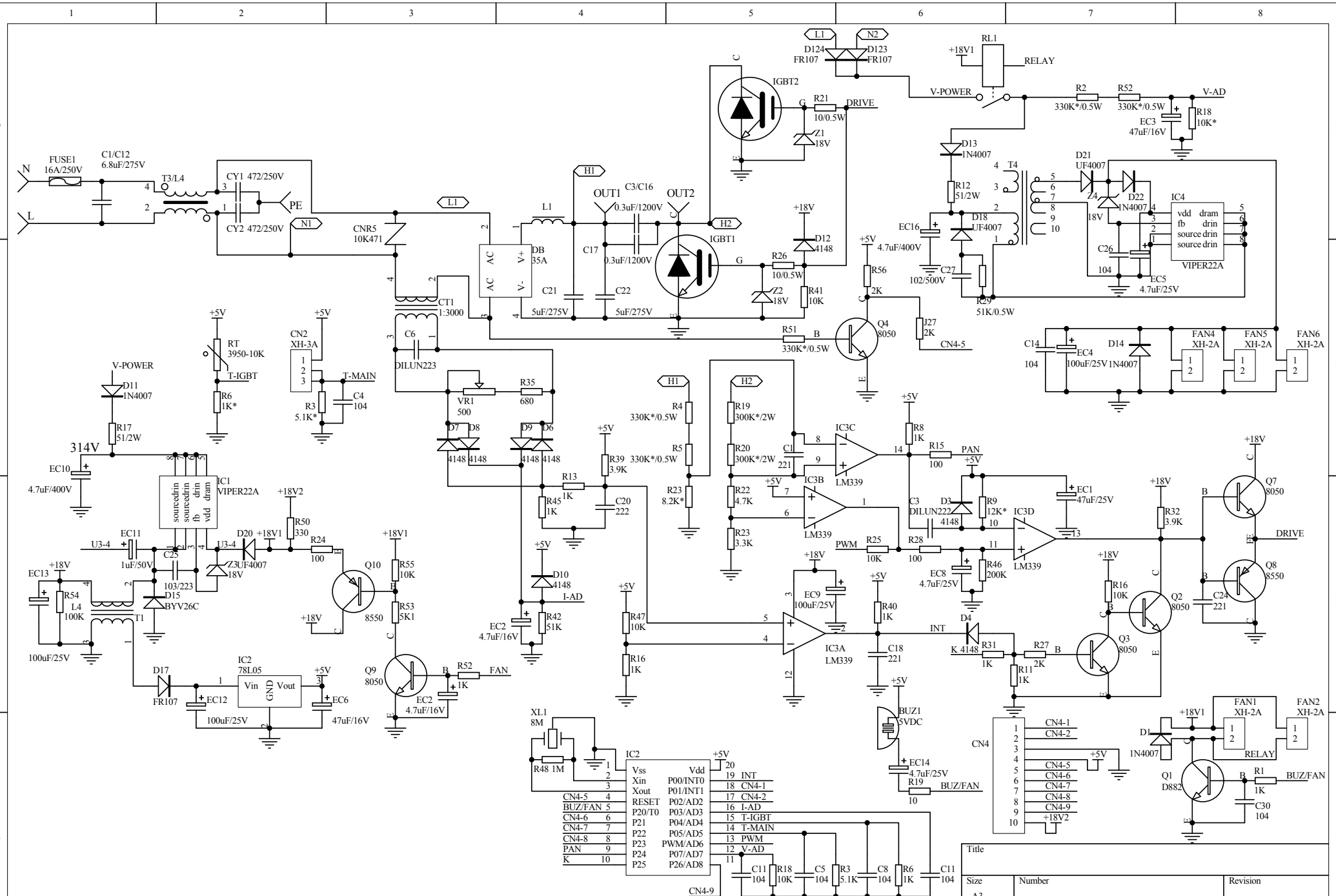


SCHALTPLAN



KBS Gastrotechnik GmbH – Schoßbergstraße 26 – 65201 Wiesbaden



Title		
Size	A3	Number
Date:	4-Nov-2015	Sheet of
File:	D:\PROTEL\BT-2015T4(V04)\软件评估要图\DrawBy: 路过零检测\	Revision

IC2	
1	Vss
2	Vdd
3	Xin
4	Xout
5	RESET
6	P20/T0
7	P21
8	P22
9	PAN
10	P25
11	P00/INT0
12	P01/INT1
13	P02/AD2
14	P03/AD3
15	P04/AD4
16	P05/AD5
17	PWM/AD6
18	P07/AD7
19	INT
20	CN4-9

CN4	
1	CN4-1
2	CN4-2
3	CN4-3
4	CN4-4
5	CN4-5
6	CN4-6
7	CN4-7
8	CN4-8
9	CN4-9
10	+18V2