

SCHALTPLAN

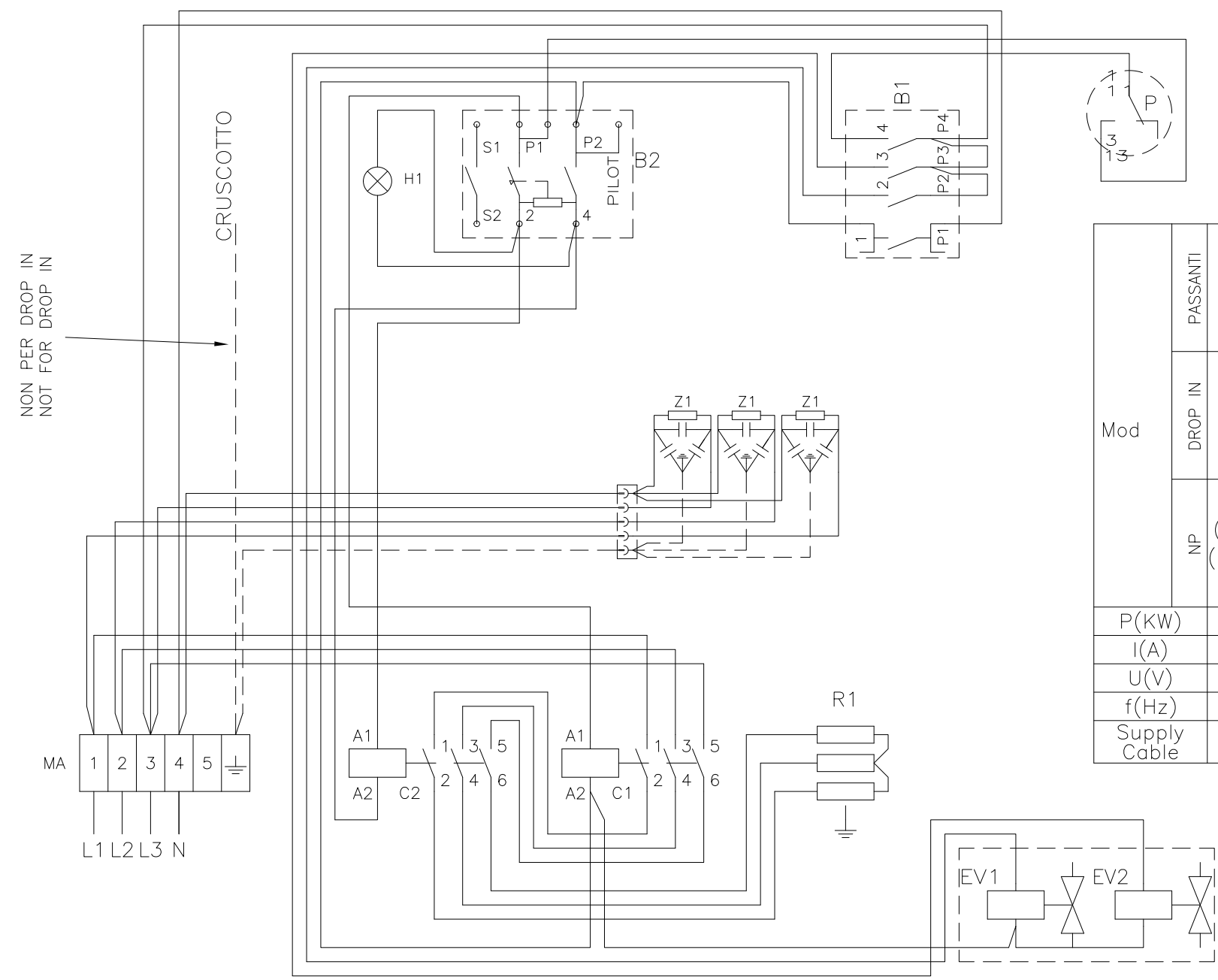
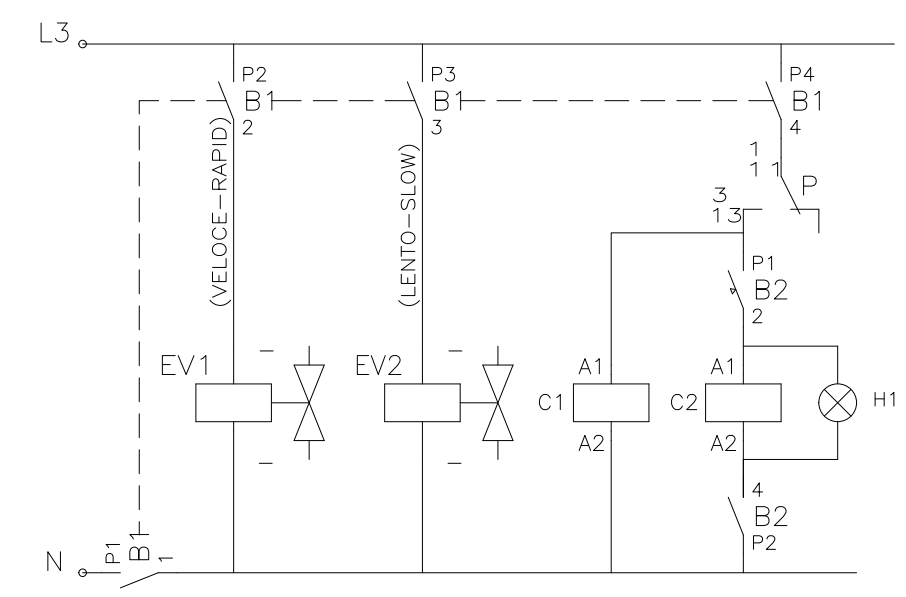


KBS Gastrotechnik GmbH – Schoßbergstraße 26 – 65201 Wiesbaden

SCHEMA ELETTRICO CUOCIP.M40-M60 70-90

| | | | | | | | | |
|--------------------------|------------------|------------------|--|------|--------|------------------|------------------|---|
| DISegnato DA: NARDINI | FIRMA NARDINI | DATA 13.11.07 | DESCRIZIONE MODIFICA PRIMA EMISSIONE | MOD. | RIF | FIRMA NARDINI | DATA 18.07.11 | DESCRIZIONE MODIFICA SPOSTATO P |
| APPROVATO DA: NARDINI | FIRMA NARDINI | DATA 14.11.08 | MOD.MARCATURA PRESSOSTATO | - | - | FIRMA NARDINI | DATA 14.02.12 | SOST. B2 CON LA65080250 EG050.57021.010 |
| | FIRMA NARDINI | DATA 03.02.09 | AGGIUNTO MODELLI SILKO | - | - | FIRMA NARDINI | DATA 27.12.16 | AGG.MOD.MANCANTI. (N), (D), PASSANTI |
| | FIRMA NARDINI | DATA 10.07.09 | AGG.MOD.NPC74E NPC76E EDE72128 EDE73128 | - | 17052 | FIRMA NARDINI | DATA 27.11.17 | AGGIUNTO MOD.DROP IN-AGGIORNATO B1 |
| | FIRMA NARDINI | DATA 30.07.10 | AGGIUNTO ATTACCO RAPIDO FILTRI AGG.MODELLI OILS | - | 18026B | FIRMA NARDINI | DATA 01.06.18 | AGGIUNTO MODELLI QUEEN |

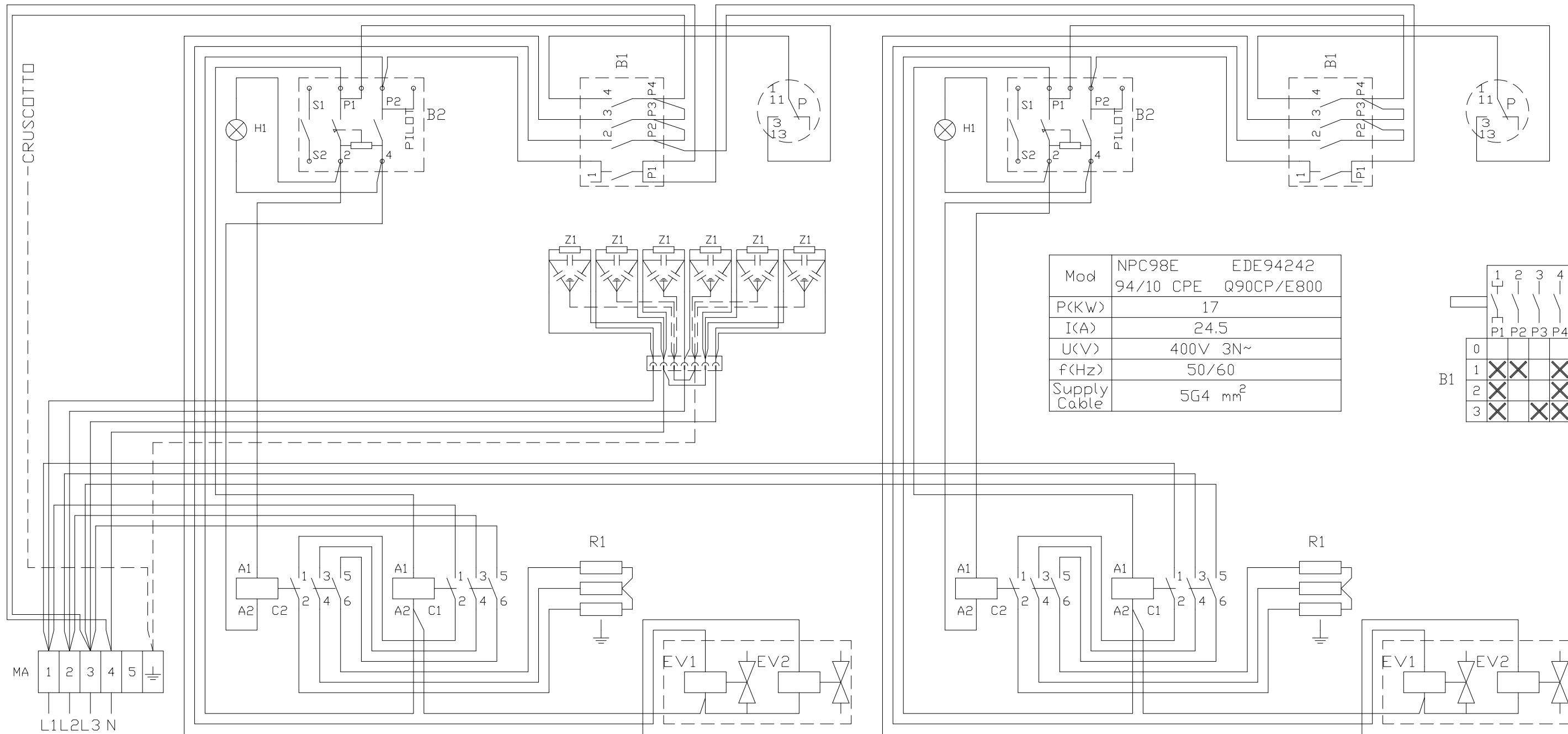
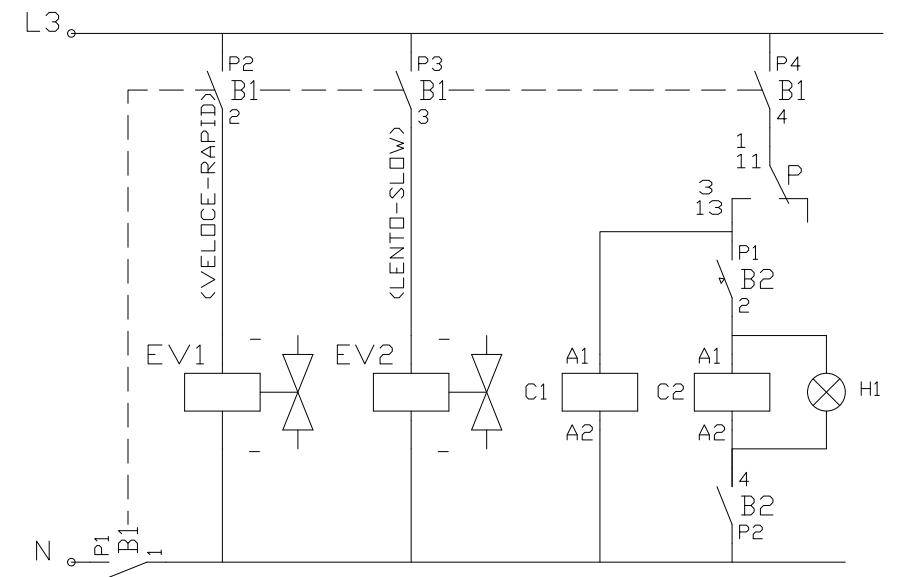
| | | | | |
|-----|--------------------------|-------------------------|--------------------|-------------------------------|
| B1 | COMMUTATORE | COMMUTEUR | CHANGE-OVER SWITCH | UMSCHALTER |
| B2 | REGOLATORE ENERGIA | REGOLATORE ENERGIE | ENERGY CONTROL | SIMMERSTAT |
| C1 | CONTATTORE DI SICUREZZA | CONTACTEUR DE SECURITE' | SAFETY CONTACTOR | SICHERHEITSSCHUETZ |
| C2 | CONTATTORE | CONTACTEUR | CONTACTOR | KONTAKTSCHALTER |
| EV1 | CARICO ACQUA RAPIDO | GHARGE EAU RAPIDE | RAPID WATER LOAD | WASSERZULAUF SCHNELL |
| EV2 | CARICO ACQUA LENTO | GHARGE EAU LENT | SLOW WATER LOAD | WASSERZULAUF LANGSAM |
| H1 | SPIA ARANCIO | LAMPE ORANGE | ORANGE PILOTLIGHT | ORANGE LAMPE |
| MA | MORSETTIERA ARRIVO LINEA | BORNES ARRIVEE LIGNE | TERMINAL BLOCK | ANSCHLUSSKLEMME |
| P | PRESSOSTATO | MANOSTAT | MANOSTAT | PRESSOSTAT (TROCKENGEHSCHUTZ) |
| R1 | RESISTENZA | RESISTANCE | HEATING ELEMENT | HEIZKORPER |
| Z1 | FILTRO ANTIDISTURBO | FILTRE ANTI PARASITE' | SUPPRESSION FILTER | FUNKENTSTOERFILTER |



| | | | |
|--------------|--------------------|---|---|
| Mod | PASSANTI | NPC114E EDEP2142 1100/45 CPE N1100CP/E450 | |
| | DROP IN | NPC74ED DPDE28 DPCPE40 DI7CPE428 | NPC76ED DPDE42T DPCPE60 DI7CPE642 |
| | NP | NPC74E (N)EDE72128 (D)72/10 CPE Q70CP/E400 | NPC94E (N)EDE92142 (D)92/10 CPE Q90CP/E400 |
| | | NPC76E (N)EDE73142 (D)73/10 CPE | NPC96E (N)EDE93142 (D)93/10 CPE |
| P(KW) | 5.67 | 8.5 | 9 |
| I(A) | 8.1 | 12.2 | 13 |
| U(V) | 380-415V 3N~ | | |
| f(Hz) | 50-60 | | |
| Supply Cable | 5G1mm ² | 5G1.5mm ² | |

| | | | | | |
|----|---|---|---|---|---|
| | 1 | 2 | 3 | 4 | |
| B1 | | | | | D |
| | X | X | | X | D |
| | X | | | X | D |
| | X | | X | X | D |


| | | | | |
|-----|--------------------------|-------------------------|--------------------|-------------------------------|
| B1 | COMMATTORE | COMMUNATEUR | CHANGE-OVER SWITCH | UMSCHALTER |
| B2 | REGOLATORE ENERGIA | REGOLATORE ENERGIE | ENERGY CONTROL | SIMMERSTAT |
| C1 | CONTATTORE DI SICUREZZA | CONTACTEUR DE SECURITE' | SAFETY CONTACTOR | SICHERHEITSSCHUETZ |
| C2 | CONTATTORE | CONTACTEUR | CONTACTOR | KONTAKTSCHALTER |
| EV1 | CARICO ACQUA RAPIDO | GHARGE EAU RAPIDE | RAPID WATER LOAD | WASSERZULAUF SCHNELL |
| EV2 | CARICO ACQUA LENTO | GHARGE EAU LENT | SLOW WATER LOAD | WASSERZULAUF LANGSAM |
| H1 | SPIA ARANCIO | LAMPE ORANGE | ORANGE PILOTLIGHT | ORANGE LAMPE |
| MA | MORSETTIERA ARRIVO LINEA | BORNES ARRIVEE LIGNE | TERMINAL BLOCK | ANSCHLUSSKLEMME |
| P | PRESSOSTATO | MANOSTAT | MANOSTAT | PRESSOSTAT (TROCKENGEHSCHUTZ) |
| R1 | RESISTENZA | RESISTANCE | HEATING ELEMENT | HEIZKORPER |
| Z1 | FILTRO ANTIDISTURBO | FILTRE ANTI PARASITE' | SUPPRESSION FILTER | FUNKENTSTOERFILTER |



| | | |
|--------------|---------------------|------------|
| Mod | NPC98E | EDE94242 |
| P(KW) | 94/10 CPE | Q90CP/E800 |
| I(A) | 24.5 | |
| U(V) | 400V 3N~ | |
| f(Hz) | 50/60 | |
| Supply Cable | 5G4 mm ² | |

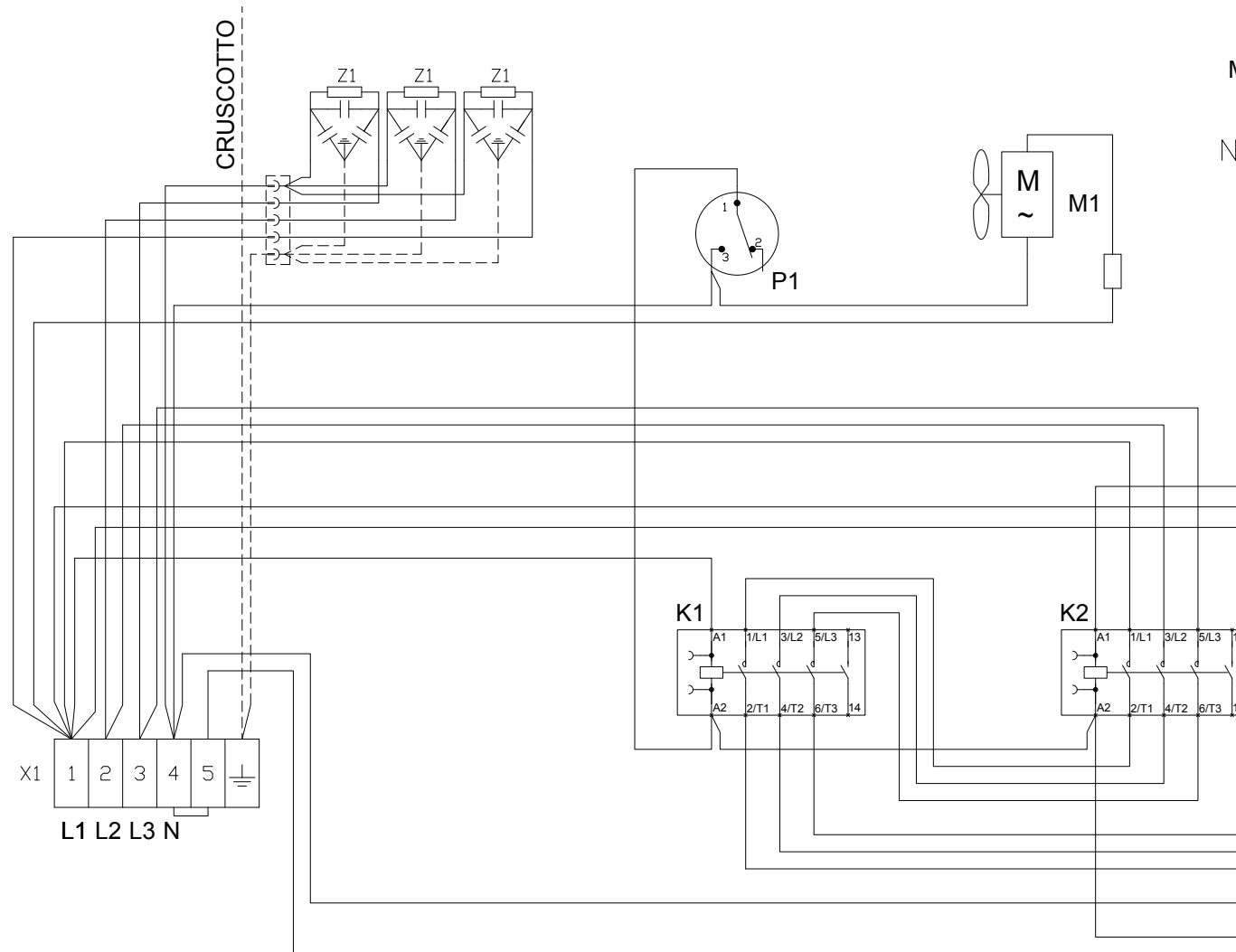
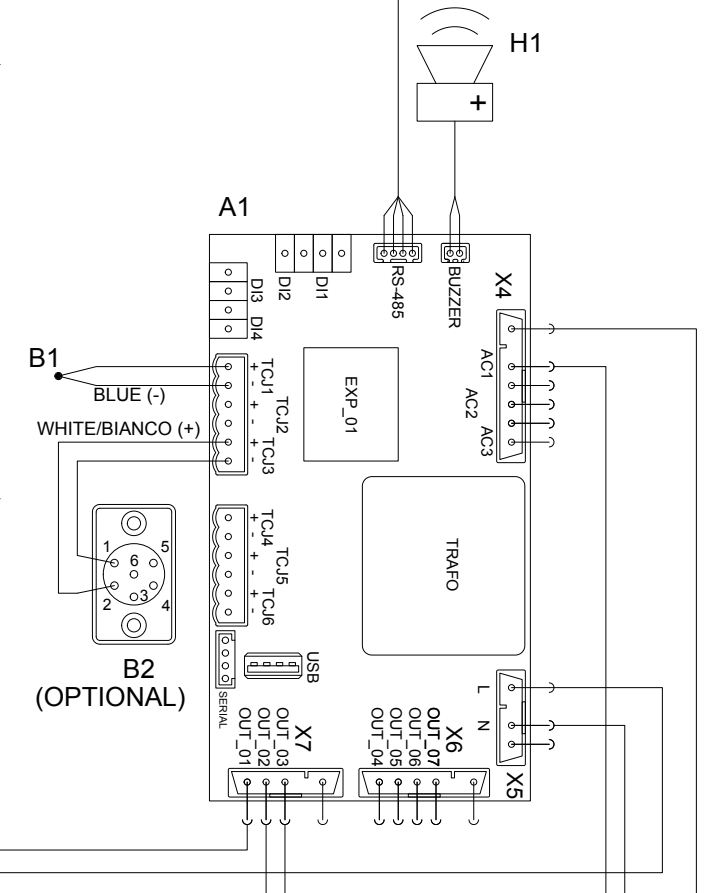
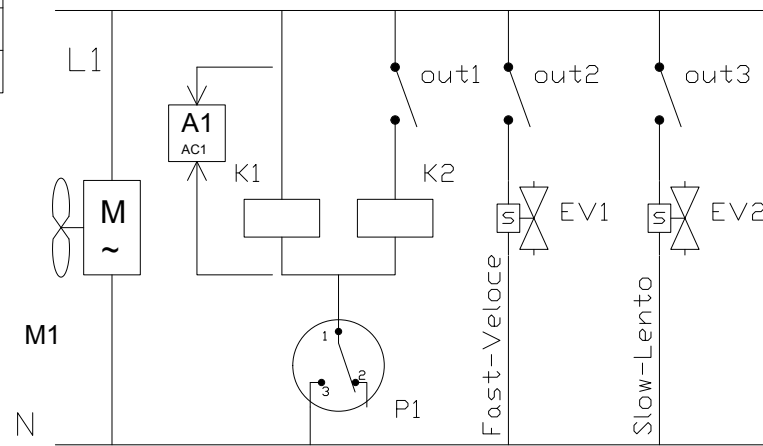
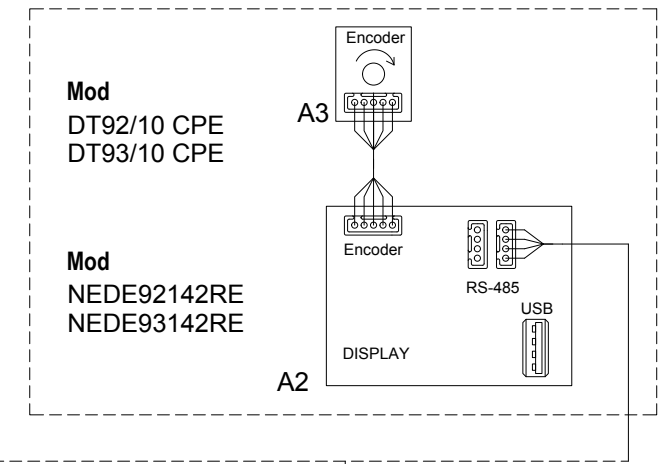
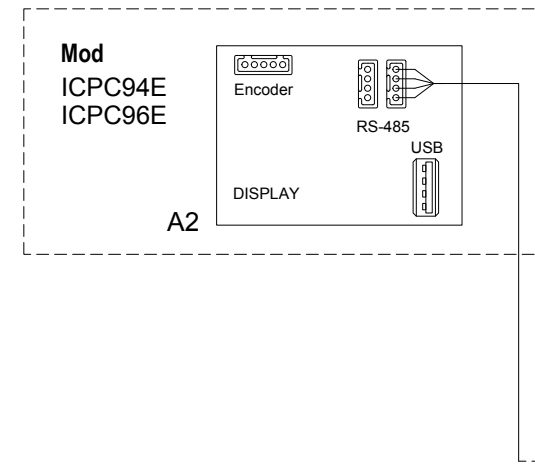
| | | | | | |
|---|----|----|----|----|---|
| | 1 | 2 | 3 | 4 | |
| | P1 | P2 | P3 | P4 | |
| 0 | | | | | 0 |
| 1 | × | × | | × | D |
| 2 | × | | | × | 0 |
| 3 | × | | × | × | 0 |

| | | | | |
|------------|------------|-------------------------------|-------------|---------------|
| 18005 | 00 | PRIMA EMISSIONE-AGGIORNATO B1 | 09/02/2018 | NARDINI |
| 18026B | 01 | AGGIUNTO QUEEN | 01/06/2018 | NARDINI |
| Rif | Rev | Description | Date | Author |

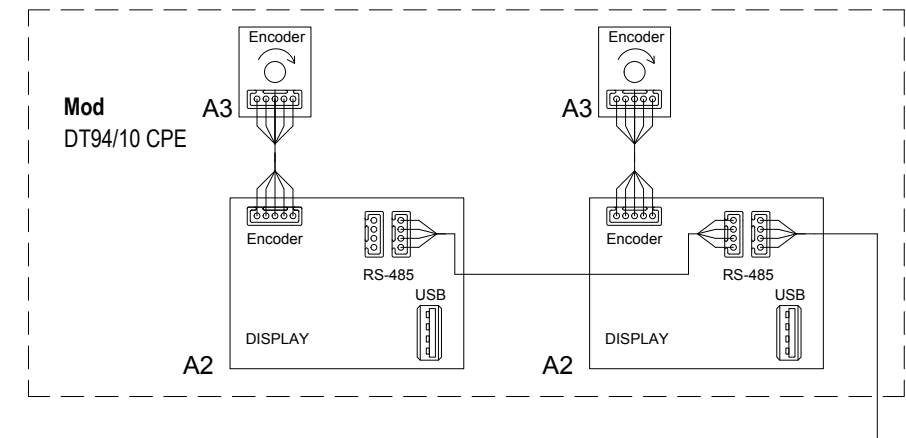
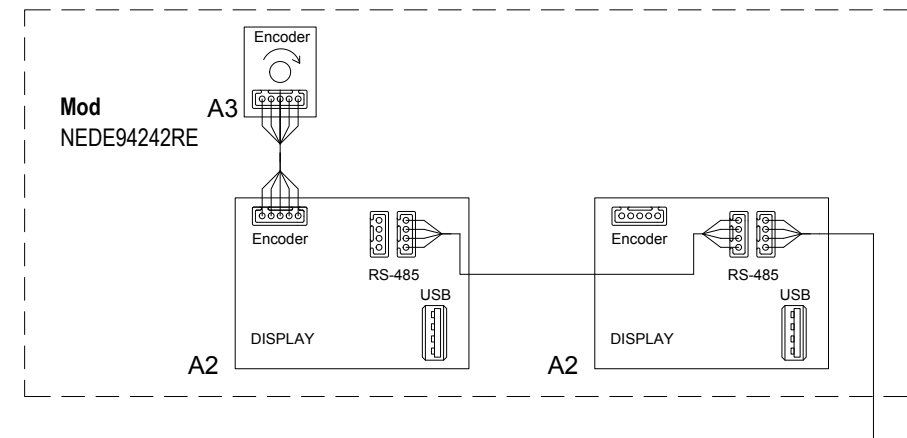
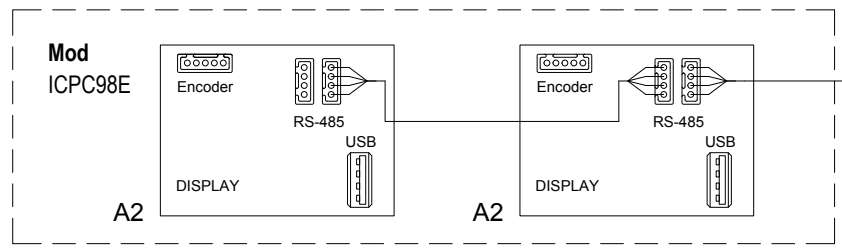
| | | | | | | | |
|--------|------------|--|---|------------------------------------|--|-----------------|-------------|
| Code | CR0683531 | | Drawing Description | SCHEMA ELETTRICO CUOCIPASTA NPC98E | | Rev. | 01 |
| Author | NARDINI | | Document Type | SCHEMA ELETTRICO | | Document Status | Description |
| Date | 06/02/2018 | |  This document is exclusive property of ALI S.p.A. and should not be distributed, reproduced, into any other format without prior permission of ALI S.p.A. - Specifications subject to change without prior notice - | | | | |

| | | |
|--------------|---------------------------------------|---------------------------------------|
| Mod | ICPC94E NEDE92142RE DT92/10 CPE | ICPC96E NEDE93142RE DT93/10 CPE |
| P(kW) | 8,5 | 9 |
| I(A) | 12,2 | 13 |
| U(V) | 380-415V 3N~ | |
| f(Hz) | 50-60 | |
| Cable | 5G1,5mm ² | 5G1,5mm ² |

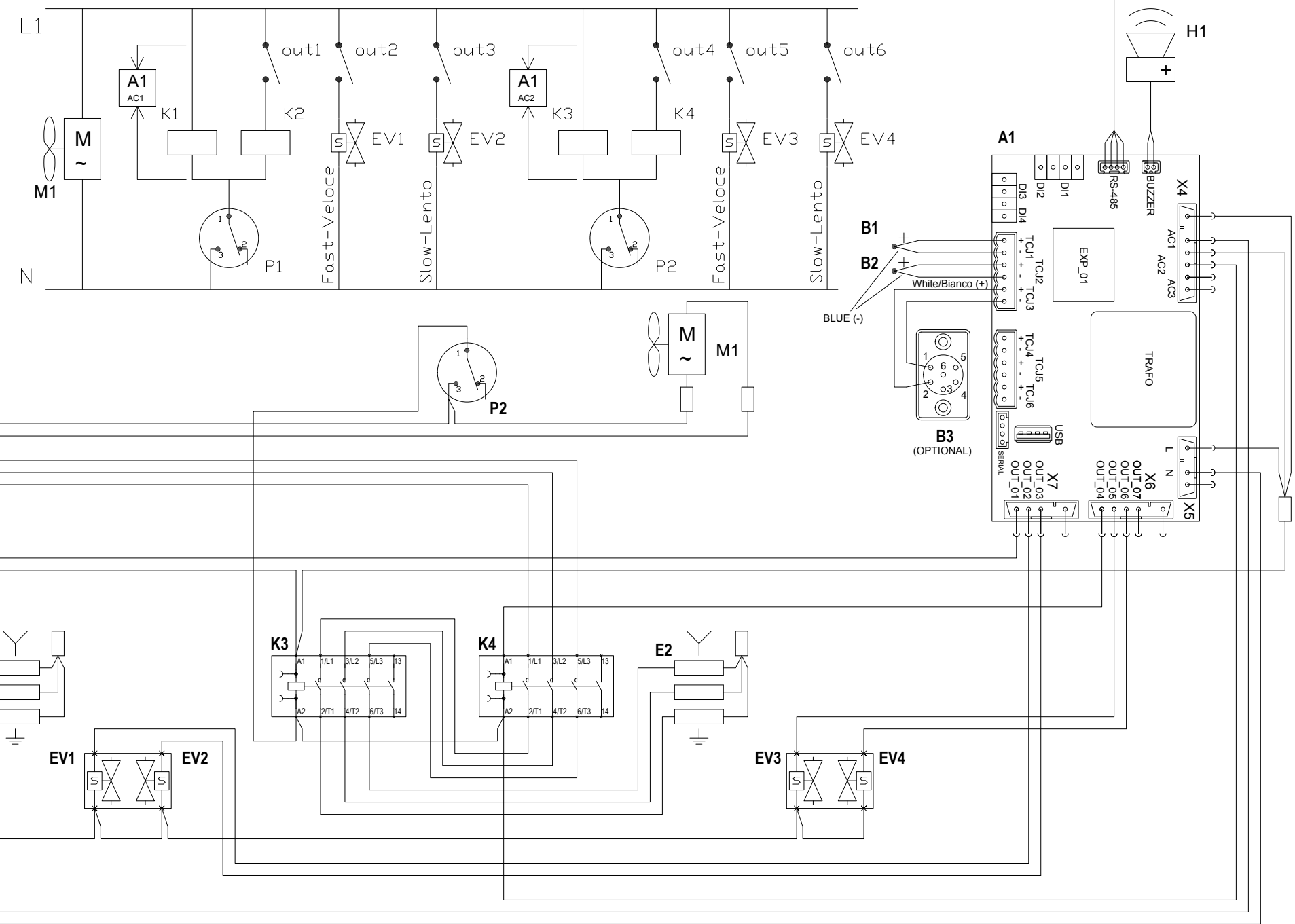
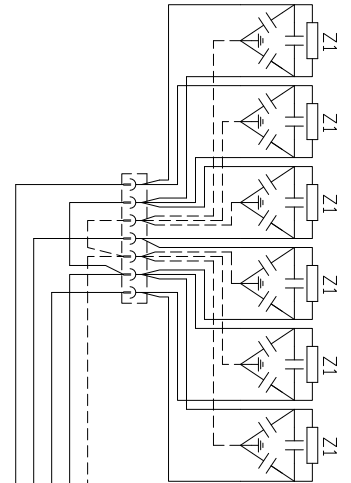
| ref | | |
|---------|---|------------------------------------|
| A1 | Power control board | Scheda controllo potenza |
| A2 | Display control board | Scheda display |
| A3 | Encoder (optional) | Encoder (optional) |
| B1 | Temperatur probe (optional) | Sonda temperatura (optional) |
| B2 | Heart temperatur probe input (optional) | Ingresso sonda al cuore (optional) |
| E1 | Heating Element | Resistenza |
| EV1-EV2 | Electrovalve | Elettrovalvola |
| H1 | Buzzer | Buzzer |
| K1..K2 | Contactor | Contattore |
| M1 | Fan | Ventilatore |
| P1 | Pressure switch | Pressostato |
| X1 | Mains terminal | Terminale arrivolinea |
| Z1 | EMI Filter | Filtri EMI |



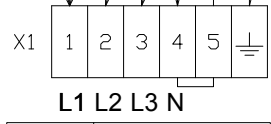
| | | | | |
|--------|------------|---------------------|---|-------------|
| Code | CR1221220 | Drawing Description | SCHEMA ELETTR.CUOCIPASTA ELETTRON.M40-60 | Rev. |
| Author | NARDINI | Document Type | SCHEMA ELETTRICO | Description |
| Date | 12/05/2016 | Document Status | | |
| Rif | 16018 00 | PRIMA EMISSIONE | This document is exclusive property of ALI S.p.A. and should not be distributed, reproduced, into any other format without prior permission of ALI S.p.A. - Specifications subject to change without prior notice - | |
| Rev | | Description | | |



| ref | | |
|---------|---|------------------------------------|
| A1 | Power control board | Scheda controllo potenza |
| A2 | Display control board | Scheda display |
| A3 | Encoder (optional) | Encoder (optional) |
| B1-B2 | Temperatur probe (optional) | Sonda temperatura (optional) |
| B3 | Heart temperatur probe input (optional) | Ingresso sonda al cuore (optional) |
| E1 | Heating Element | Resistenza |
| EV1.EV4 | Electrovalve | Elettrovalvola |
| H1 | Buzzer | Buzzer |
| K1..K4 | Contactore | Contattore |
| M1 | Fan | Ventilatore |
| P1..P2 | Pressure switch | Pressostato |
| X1 | Mains terminal | Terminale arrivolinea |
| Z1 | EMI Filter | Filtri EMI |



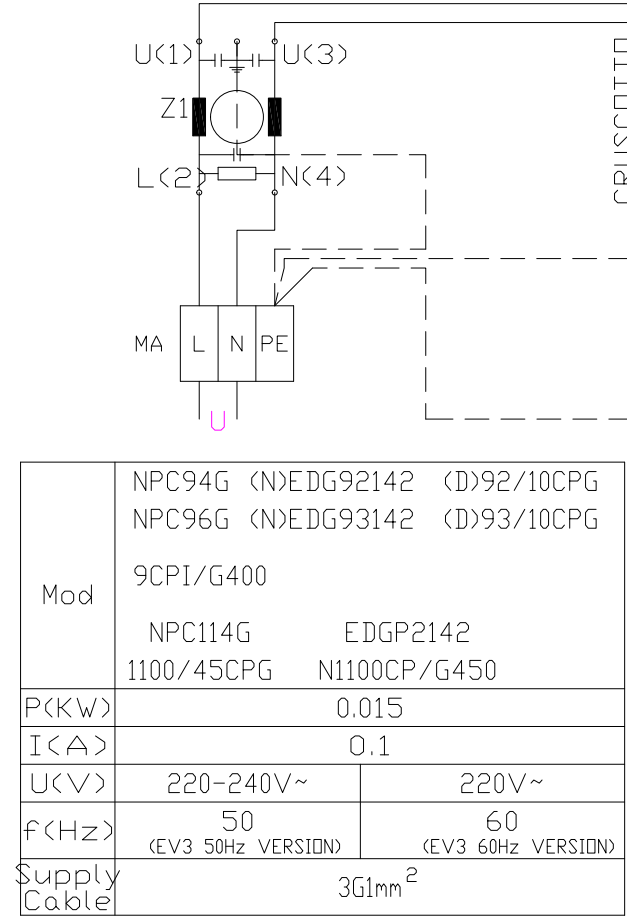
CRUSCOTTO



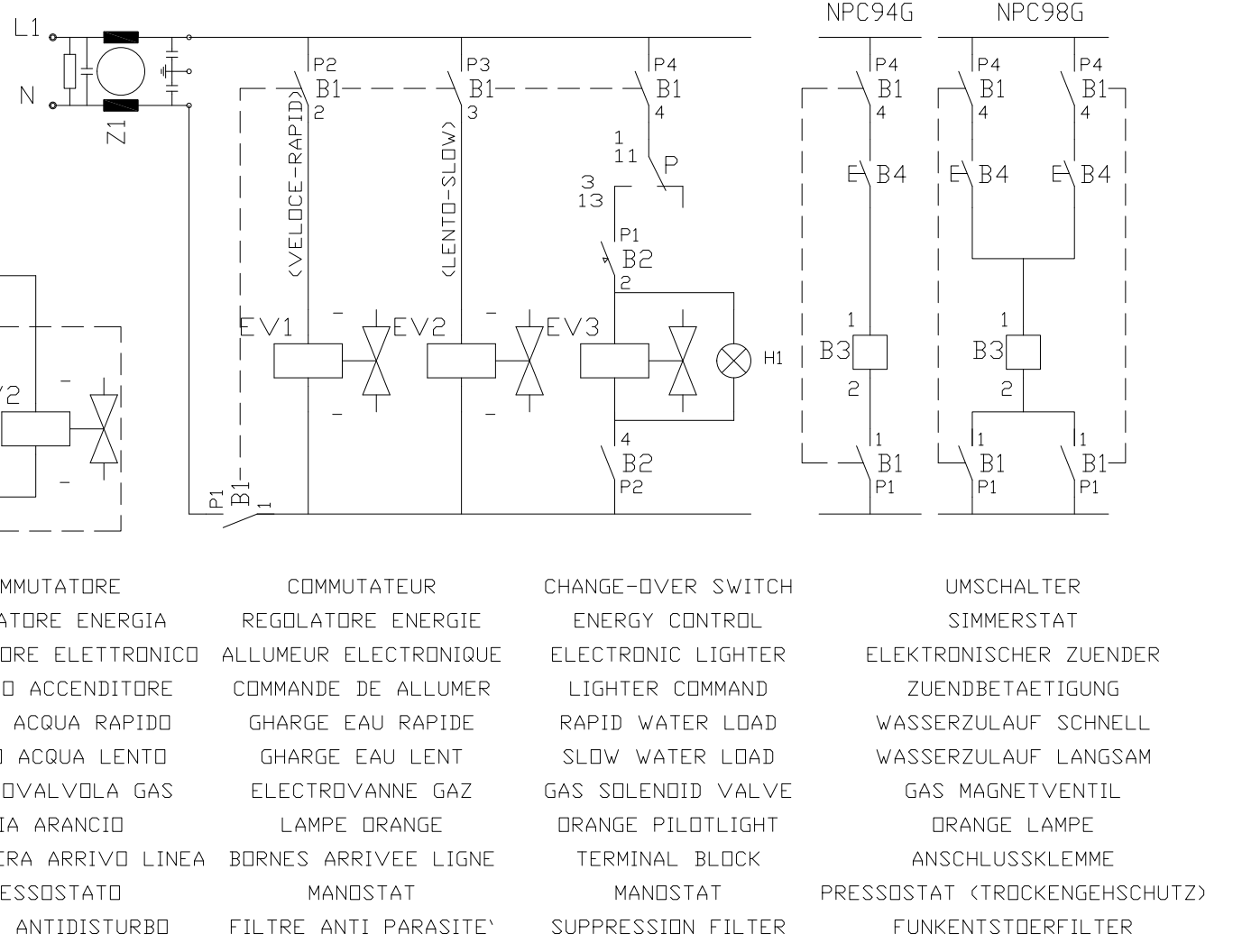
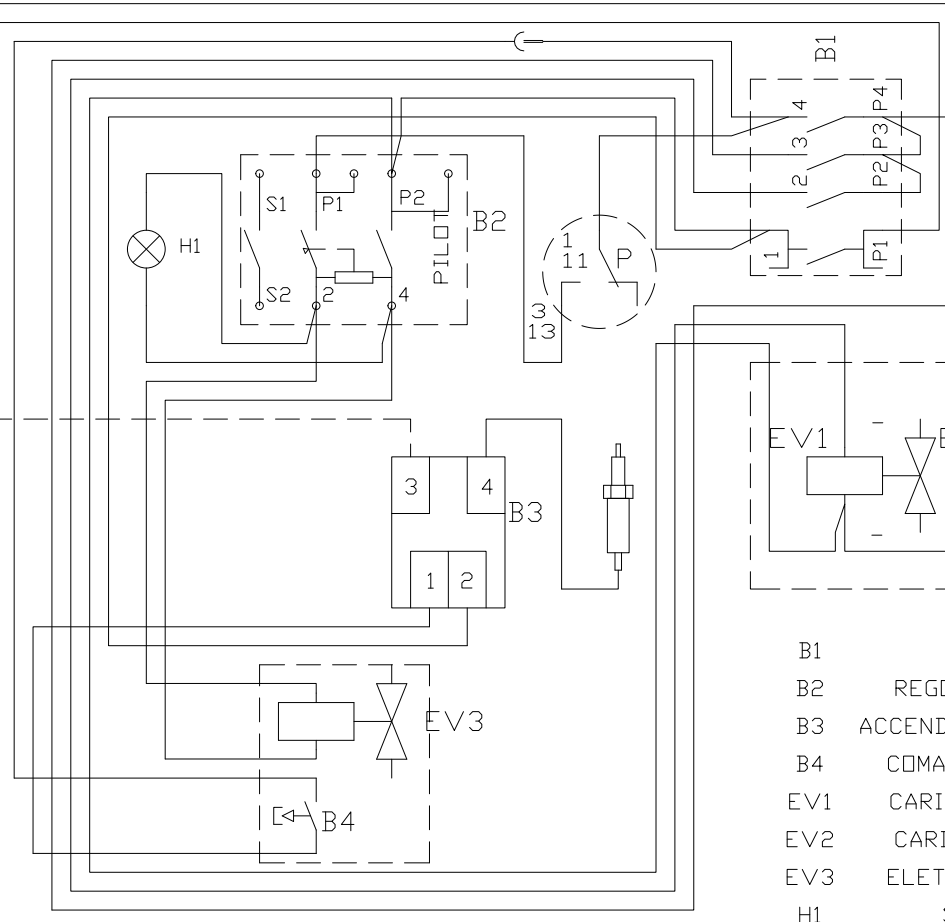
| Mod | ICPC98E NEDE94242RE DT94/10 CPE |
|-------|---------------------------------------|
| P(kW) | 17 |
| I(A) | 24.5 |
| U(V) | 380-415V 3N~ |
| f(Hz) | 50-60 |
| Cable | 5G4mm ² |

| | | | | | |
|--------|-------------|-----------------|---|--|-------------|
| Code | CR1221250 | | Drawing Description | SCHEMA ELETTRICO CUCCIPASTA ELETTRON.M80 | Rev. |
| Author | MARTINI | | Document Type | CABLAGGIO | Description |
| Date | 29/07/2016 | | | | |
| Rif | A) | PRIMA EMISSIONE | This document is exclusive property of ALI S.p.A. and should not be distributed, reproduced, into any other format without prior permission of ALI S.p.A. - Specifications subject to change without prior notice - | | |
| Rev | Description | | Date | | |

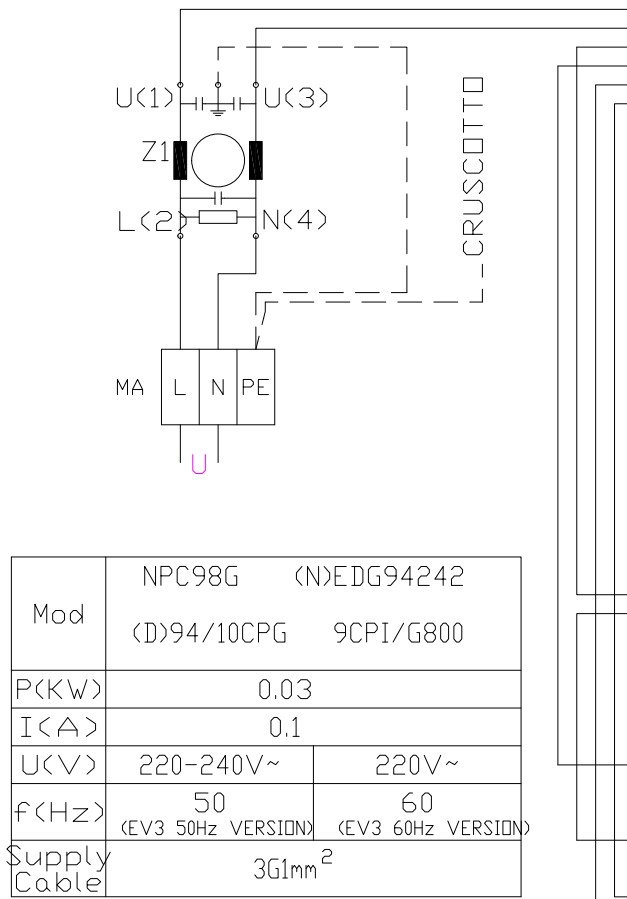
| | | | | |
|-------|-----|-----------------|------------|---------|
| 16018 | A) | PRIMA EMISSIONE | 29/07/2016 | MARTINI |
| Rif | Rev | Description | Date | Author |



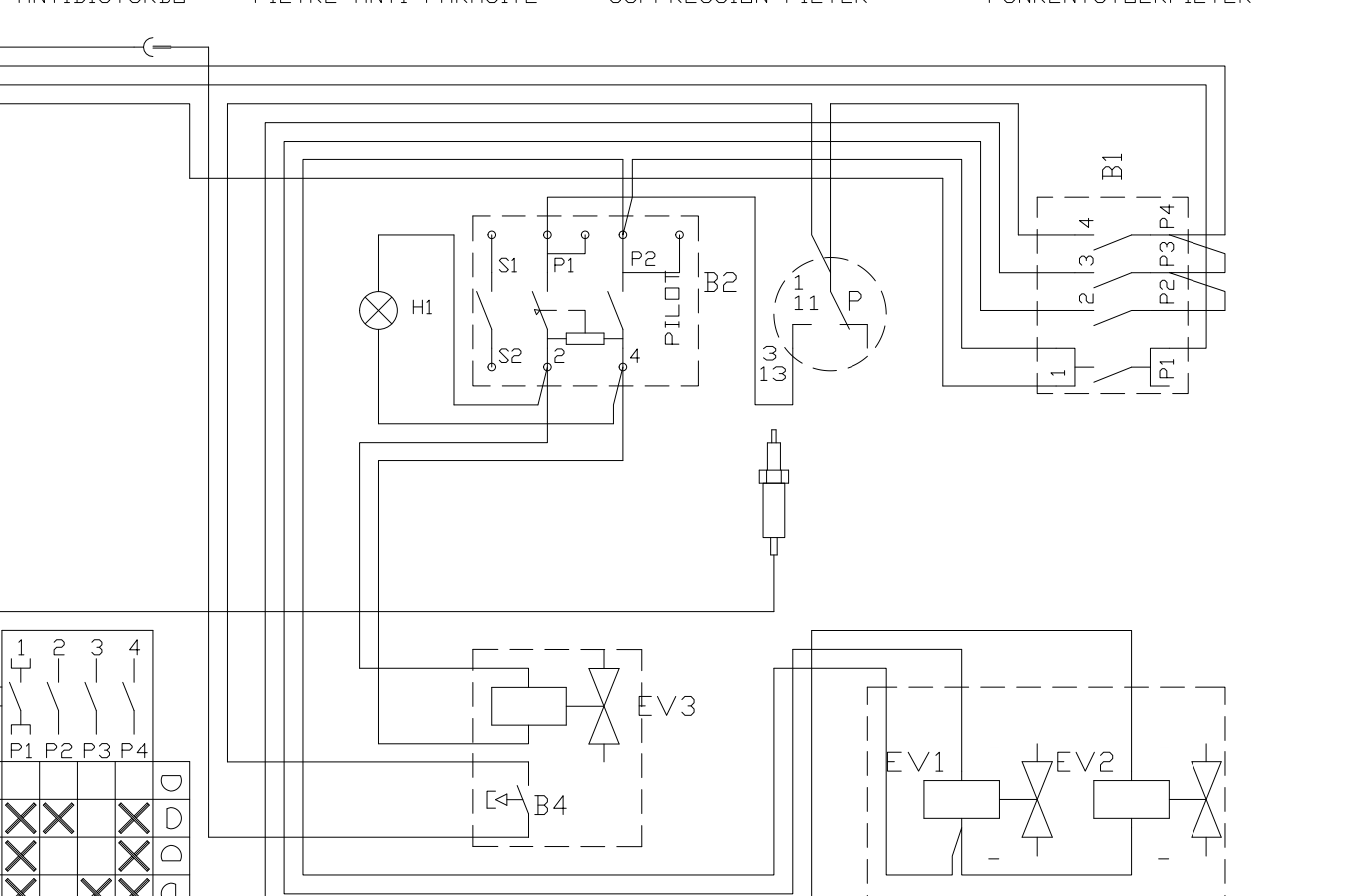
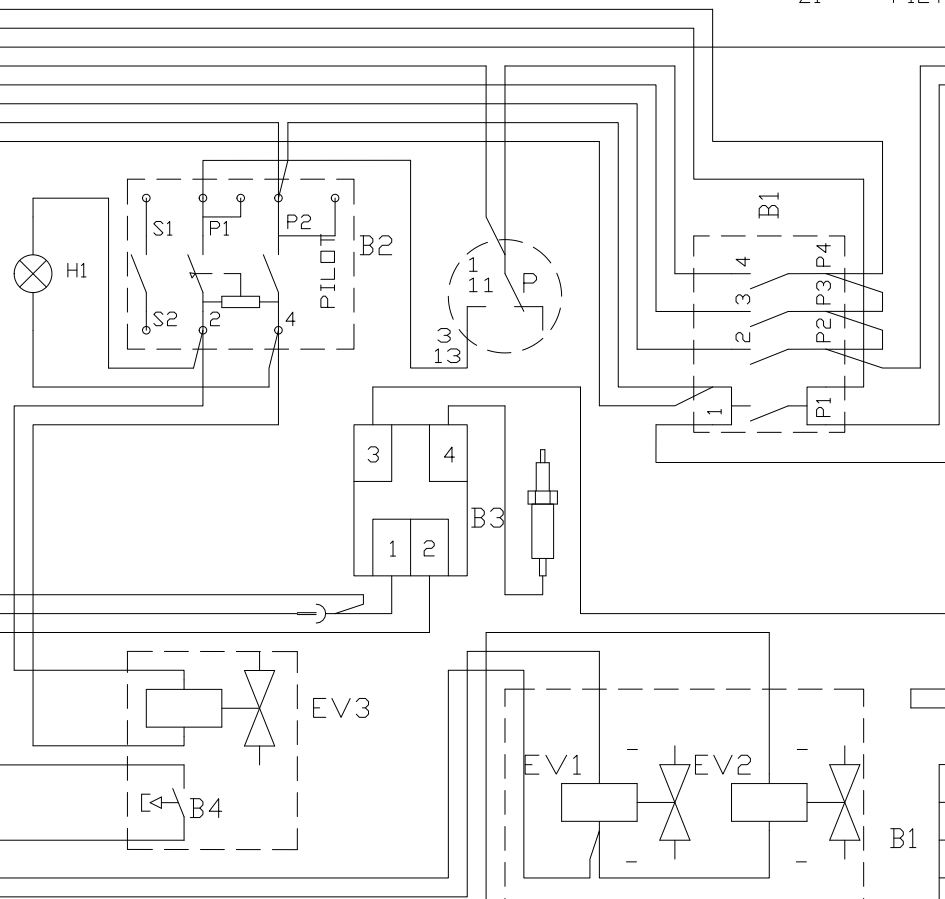
| | | |
|--------------|--------------------------------|--------------------------------|
| Mod | NPC94G (N)EDG92142 (D)92/10CPG | NPC96G (N)EDG93142 (D)93/10CPG |
| | 9CPI/G400 | |
| P(KW) | 0.015 | |
| I(A) | 0.1 | |
| U(V) | 220-240V~ | 220V~ |
| f(Hz) | 50 (EV3 50Hz VERSION) | 60 (EV3 60Hz VERSION) |
| Supply Cable | 3G1mm ² | |



- B1 COMMUTATORE / COMMUTATEUR / CHANGE-OVER SWITCH / UMSCHALTER
- B2 REGOLATORE ENERGIA / REGULATORE ENERGIE / ENERGY CONTROL / SIMMERSTAT
- B3 ACCENDITORE ELETTRONICO / ALLUMEUR ELECTRONIQUE / ELECTRONIC LIGHTER / ELEKTRONISCHER ZUENDER
- B4 COMANDO ACCENDITORE / COMMANDE DE ALLUMER / LIGHTER COMMAND / ZUENDBETAETIGUNG
- EV1 CARICO ACQUA RAPIDO / GHARGE EAU RAPIDE / RAPID WATER LOAD / WASSERZULAUF SCHNELL
- EV2 CARICO ACQUA LENTO / GHARGE EAU LENT / SLOW WATER LOAD / WASSERZULAUF LANGSAM
- EV3 ELETTROVALVOLA GAS / ELECTROVANNE GAZ / GAS SOLENOID VALVE / GAS MAGNETVENTIL
- H1 SPIA ARANCIO / LAMPE ORANGE / ORANGE PILOTLIGHT / ORANGE LAMPE
- MA MORSETTIERA ARRIVO LINEA / BORNES ARRIVEE LIGNE / TERMINAL BLOCK / ANSCHLUSSKLEMME
- P PRESSOSTATO / MANOSTAT / MANOSTAT / PRESSOSTAT (TROCKENGEHSCHUTZ)
- Z1 FILTRO ANTIDISTURBO / FILTRE ANTI PARASITE' / SUPPRESSION FILTER / FUNKENTSTOERFILTER



| | | |
|--------------|-----------------------|-----------------------|
| Mod | NPC98G (N)EDG94242 | (D)94/10CPG 9CPI/G800 |
| | | |
| P(KW) | 0.03 | |
| I(A) | 0.1 | |
| U(V) | 220-240V~ | 220V~ |
| f(Hz) | 50 (EV3 50Hz VERSION) | 60 (EV3 60Hz VERSION) |
| Supply Cable | 3G1mm ² | |



| | | | | | |
|---|----|----|----|----|---|
| | 1 | 2 | 3 | 4 | |
| | P1 | P2 | P3 | P4 | |
| 0 | | | | | D |
| 1 | X | X | | X | D |
| 2 | X | | | X | D |
| 3 | X | | X | X | D |

| | | | | |
|-------|-----|-------------------------------|------------|---------|
| 18005 | 00 | PRIMA EMISSIONE-AGGIORNATO B1 | 09/02/2018 | NARDINI |
| Rif | Rev | Description | Date | Author |

| | | | | | | | |
|--------|------------|--|---|-------------------------------------|--|-----------------|-------------|
| Code | CR0584561 | | Drawing Description | SCHEMA ELETTRICO CUCCIPASTA GAS 900 | | Rev. | 00 |
| Author | NARDINI | | Document Type | SCHEMA ELETTRICO | | Document Status | Description |
| Date | 06/02/2018 | | This document is exclusive property of ALI S.p.A. and should not be distributed, reproduced, into any other format without prior permission of ALI S.p.A. - Specifications subject to change without prior notice - | | | | |

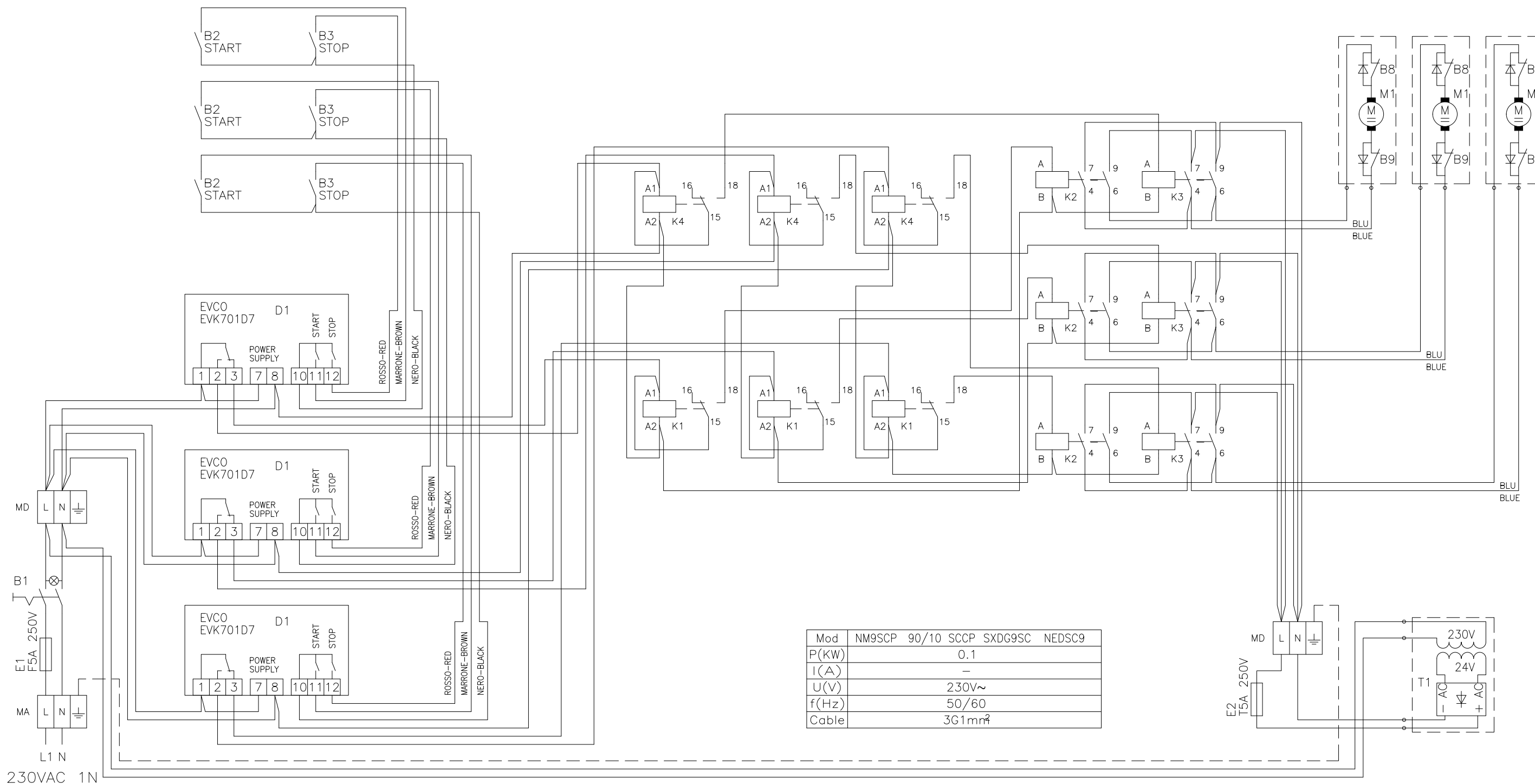
SCHEMA ELETTRICO MODULO ALZACESTELLI CP

DIS.N. CR0790301

DATA 04.09.14

MOD. -

| | | | | | |
|----------------------|----------------------------|----------|---------|----------|----------------------|
| DESCRIZIONE MODIFICA | DESCRIZIONE MODIFICA | DATA | FIRMA | DATA | DESCRIZIONE MODIFICA |
| RICOLLOCATO K1 E K4 | PRIMA EMISSIONE | 21.09.17 | NARDINI | 19.05.11 | |
| AGGIUNTO NEDSC9 | CAMBIATO ATTUATORE | 05.04.18 | NARDINI | 23.09.14 | |
| | EVIDENZIATO CAVO BLU DI M1 | | NARDINI | 13.05.15 | |



| | |
|-------|----------------------------------|
| Mod | NM9SCP 90/10 SCCP SXDG9SC NEDSC9 |
| P(kW) | 0.1 |
| I(A) | - |
| U(V) | 230V~ |
| f(Hz) | 50/60 |
| Cable | 3G1mm² |

| | | | | | | | | | |
|-------|-----------------------|--------------|----------------|-------------------------|-------|--------------------------|----------------------|---------------------|--------------------|
| B1 | INTERRUTTORE GENERALE | INTERRUPTEUR | CUT-OFF SWITCH | EIN-AUS KONTROLSCHALTER | K1/K2 | RELE | RELAIS | RELAIS | RELAY |
| B2 | PULSANTE INIZIO | BOUTON DEBUT | START BUTTON | STARTDRUCKKNOPF | MA | MORSETTIERA ARRIVO LINEA | BORNES ARRIVEE LIGNE | TERMINAL BLOCK | ANSCHLUSSKLEMME |
| B3 | PULSANTE FINE | BOUTON FIN | END BUTTON | ENEDRUCKKNOPF | MD | MORSETTIERA DERIVAZIONE | BORNES DE DERIVATION | TERMINAL DERIVATION | TERMINAL-ABLEITUNG |
| D1 | TIMER CICLO | TIMER CYCLE | CYCLE TIMER | ZYKLUS TIMER | M1 | MOTORE | MOTEUR | MOTOR | MOTOR |
| E1/E2 | FUSIBILE | FUSIBLE | FUSE | SICHERUNG | T1 | TRASFORMATORE | TRASFORMATEUR | TRANSFORMER | TRANSFORMATOR |
| K1-K4 | TEMPORIZZATORE | TIMER | TIMER | TIMER | | | | | |