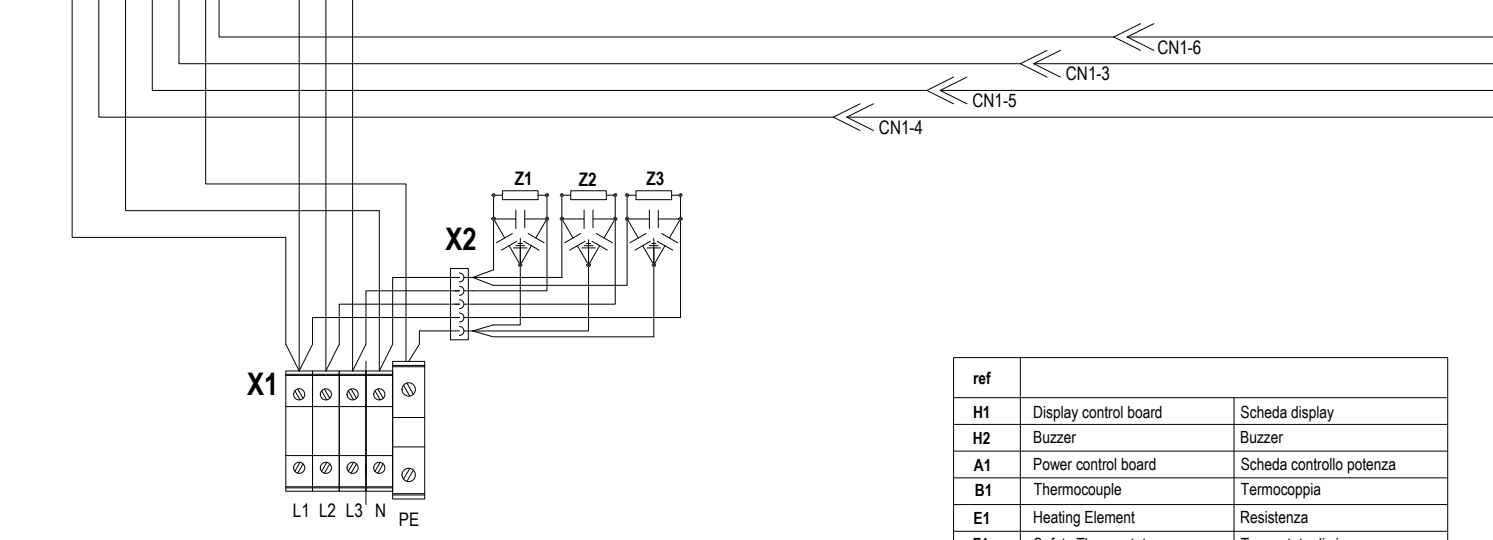
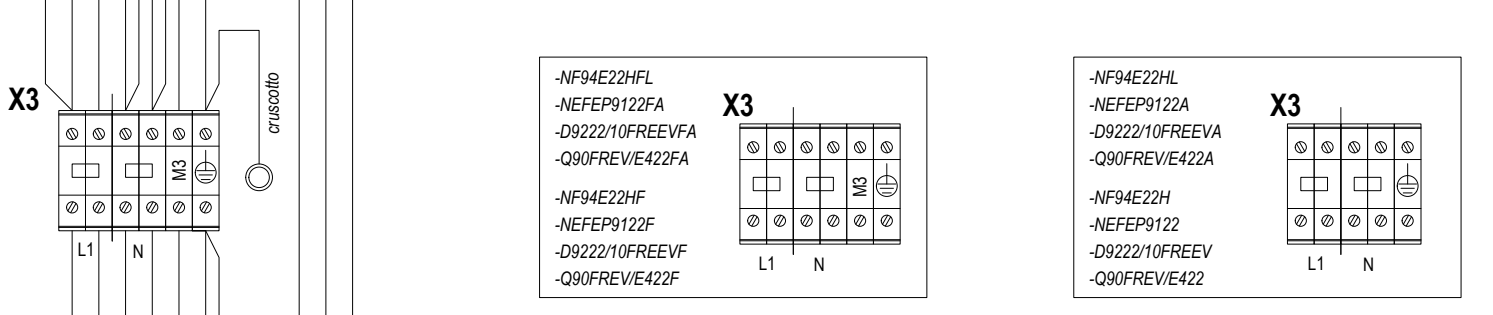
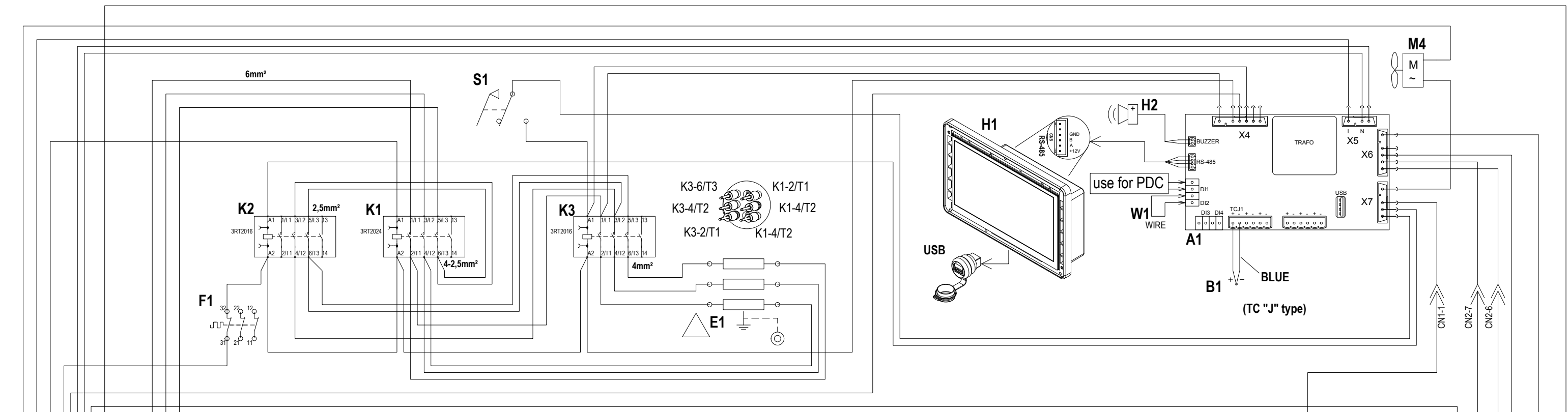


SCHALTPLAN

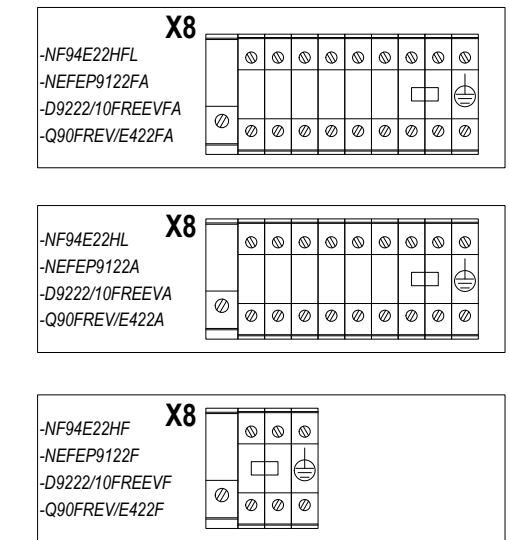
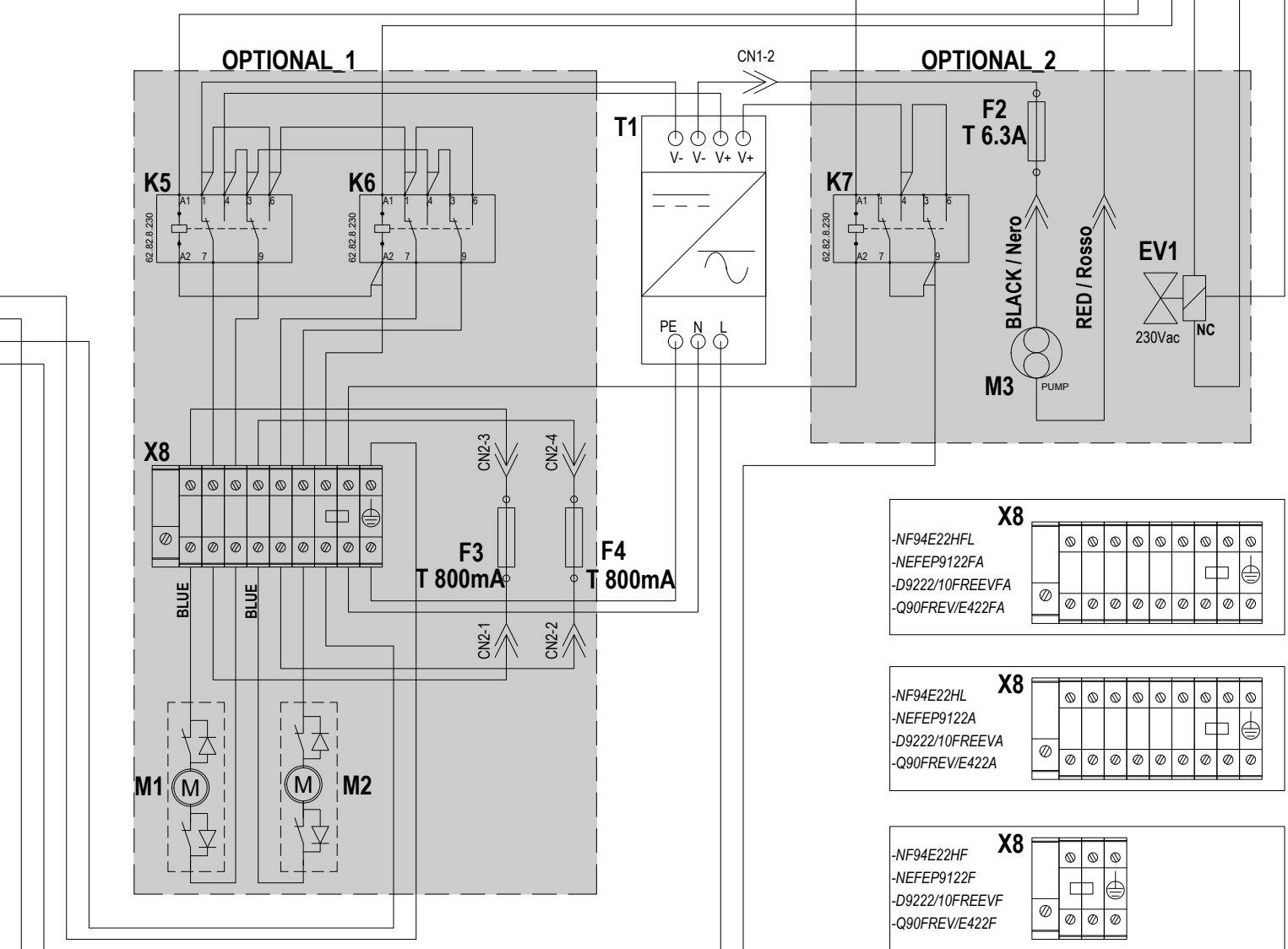


KBS Gastrotechnik GmbH – Schoßbergstraße 26 – 65201 Wiesbaden



Mod	NF94E22H	NEFEP9122	D9222/10FREEV	Q90FREVE422
P(kW)		22		
I(A)		32.5		
U(V)		380-415 3N		
f(Hz)		50-60		
Supply Cable		5G 6mmq		

ref		
H1	Display control board	Scheda display
H2	Buzzer	Buzzer
A1	Power control board	Scheda controllo potenza
B1	Thermocouple	Termocoppia
E1	Heating Element	Resistenza
F1	Safety Thermostat	Termostato di sicurezza
F2-F4	Fuses	Fusibile
K1,K2,K3	Contactore	Contattore
M4	Fan	Ventilatore
S1	Micro Switch	Microinterruttore
X1-X8	Terminals	Terminali
EV1	Electrovalve (NC)	Elettrovalvola (NC)
K5,K6,K7	Relays	Relays
M1,M2	Basket lift motors	Motore alzacetini
M3	Pump	Pompa
T1	AC/DC Power Supply	Alimentatore DC
W1	Wire Bridge	Ponticello a filo



Code	CR1315410	Drawing Description	SCHEMA ELETTRICO FRIGGITRICE EVO ELE	Rev.	00
Author	MARTINI	Document Type	SCHEMA ELETTRICO	Document Status	
Date	26/04/2017	This document is exclusive property of ALI S.p.A. and should not be distributed, reproduced, into any other format without prior permission of ALI S.p.A. - Specifications subject to change without prior notice -			

Rif	Rev	Description	Date	Author
20011	-	AGGIUNTO BUZZER	25/02/2020	NARDINI
	00	PRIMA EMISSIONE	26/04/2017	MARTINI