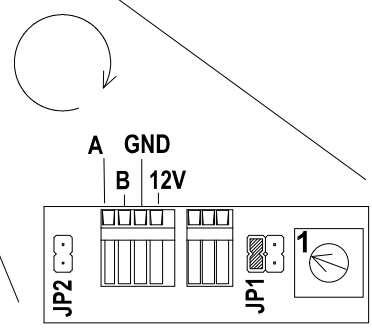
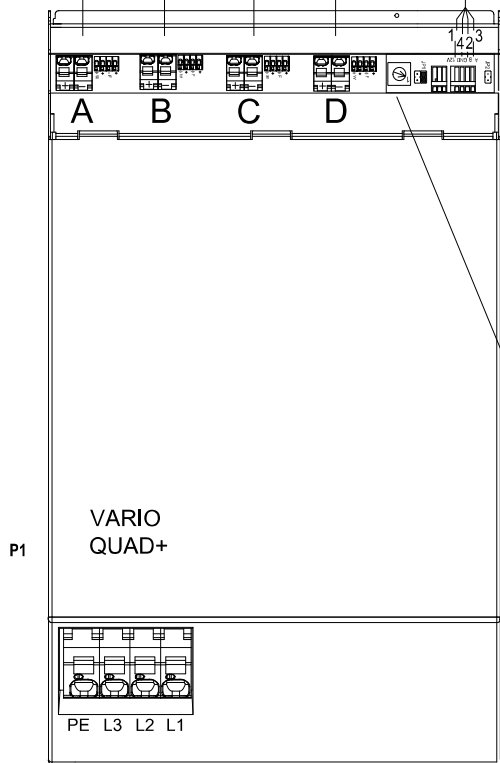
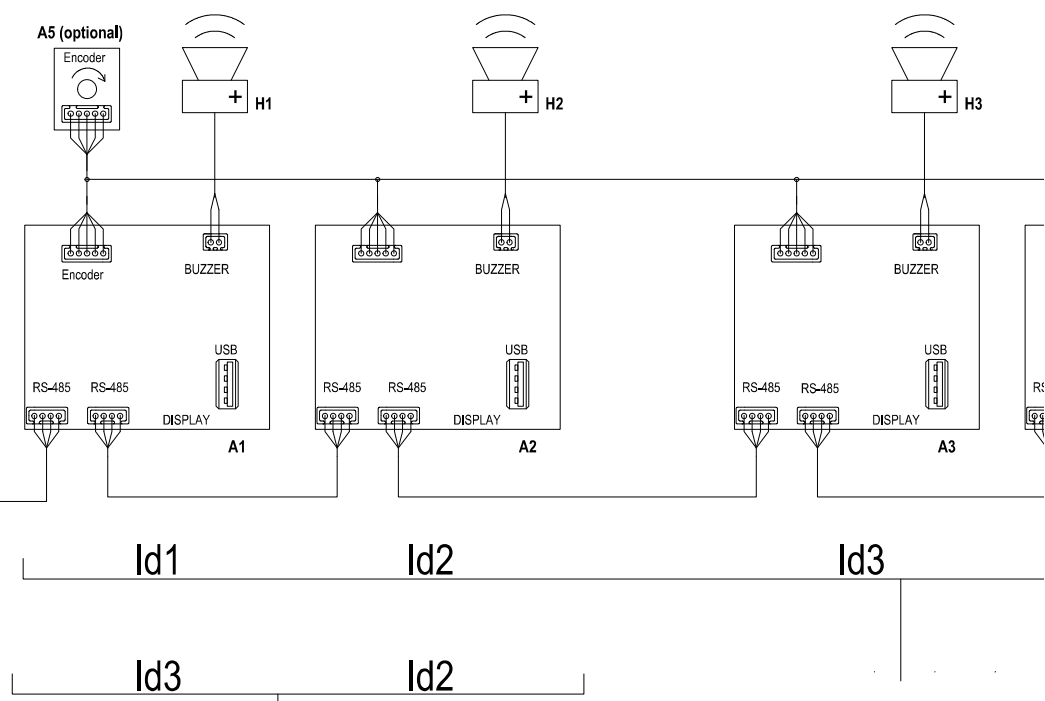
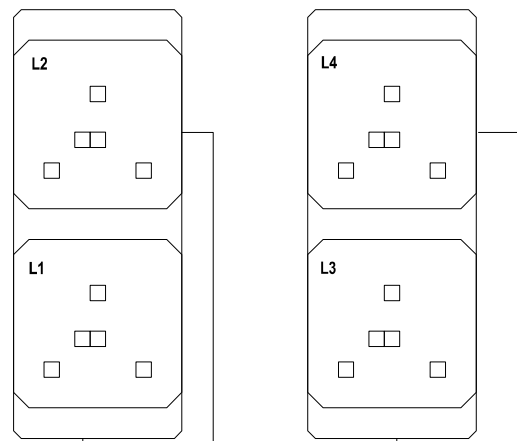


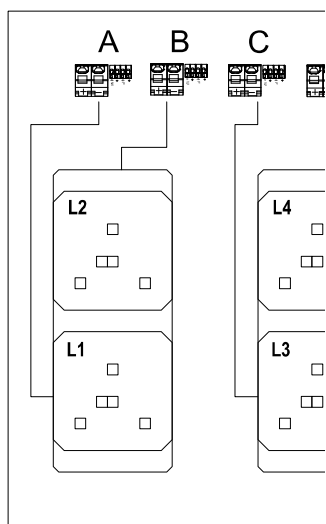
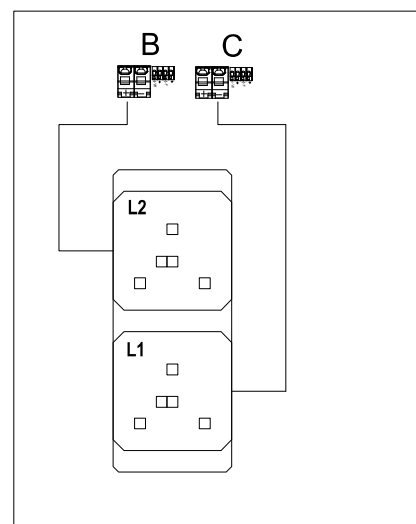
SCHALTPLAN



KBS Gastrotechnik GmbH – Schoßbergstraße 26 – 65201 Wiesbaden



JP1 : Closed
 Rotary switch : 1
 JP1 : Chiuso
 Selettore : 1



| Mod | ICI94TE | NECI92TE NECI92GE NECI92AE | DT92/10 GCI DT92/10 TCI |
|-------|---------|----------------------------------|----------------------------|
| P(kW) | | 10 | |
| I(A) | | 15.3 | |
| U(V) | | 380-415V 3~ | |
| f(Hz) | | 50-60 | |
| Cable | | 4G2.5mm ² | |

| Mod | ICI98TE | NECI94TE NECI94GE NECI94AE | DT94 DT94 |
|-------|---------|----------------------------------|--------------|
| P(kW) | | 20 | |
| I(A) | | 30.6 | |
| U(V) | | 380-415V 3~ | |
| f(Hz) | | 50-60 | |
| Cable | | 4G6mm ² | |