

SCHALTPLAN



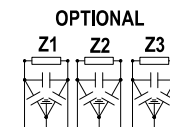
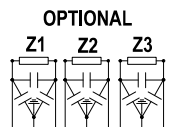
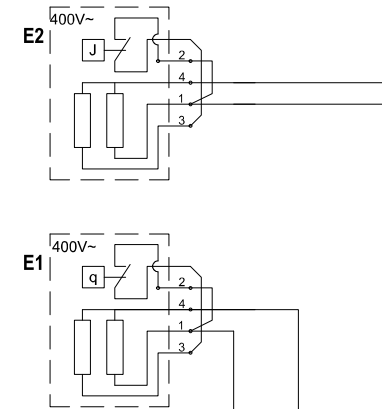
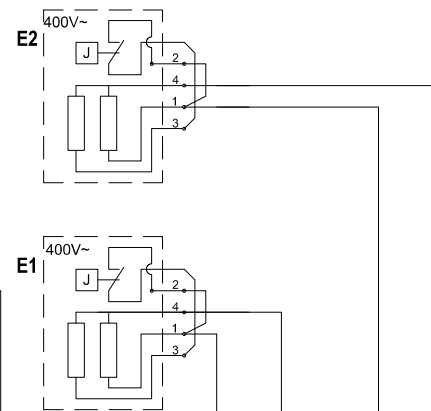
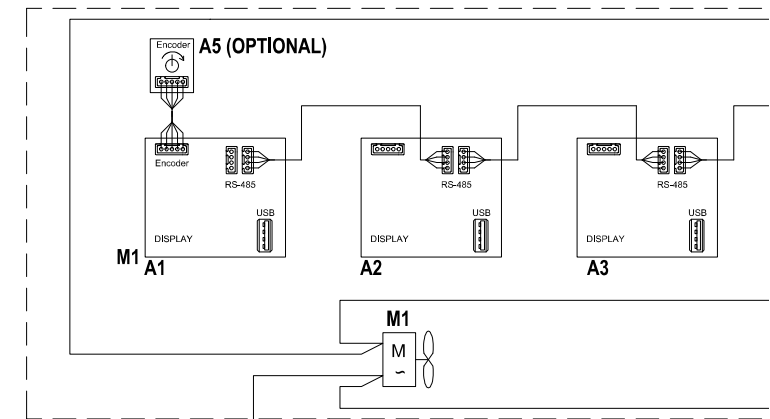
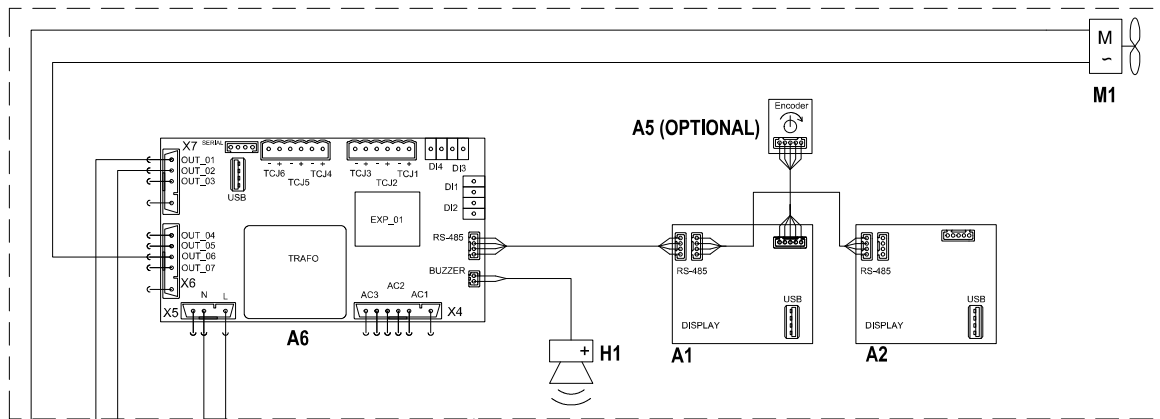
KBS Gastrotechnik GmbH – Schoßbergstraße 26 – 65201 Wiesbaden

Mod	ICV94E	NECV92TE NECV92GE NECV92AE	DT92/10 TVTC DT92/10 VTC
P(kW)	8		
I(A)	17.3		
U(V)	380-415V 3N~		
f(Hz)	50-60		
Cable	5G2.5mm ²		

ref		
A1-A4	Display control board	Scheda display
A5	Encoder (optional)	Encoder (optional)
A6	Power control board	Scheda di potenza
E1-E4	Radiating element	Elementi irradianti
H1	Buzzer	Buzzer
K1-K4	Relay	Relay
M1-M2	Fan	Ventola
X1	Mains terminal	Terminale arrivolinea
X2	Filters terminal	Connettore Filtri
Z1-Z3	EMI Filters	Filtri EMI

Mod	
P(kW)	
I(A)	
U(V)	
f(Hz)	
Cable	

FRONT PANEL-CRUSCOTTO



K2

K2