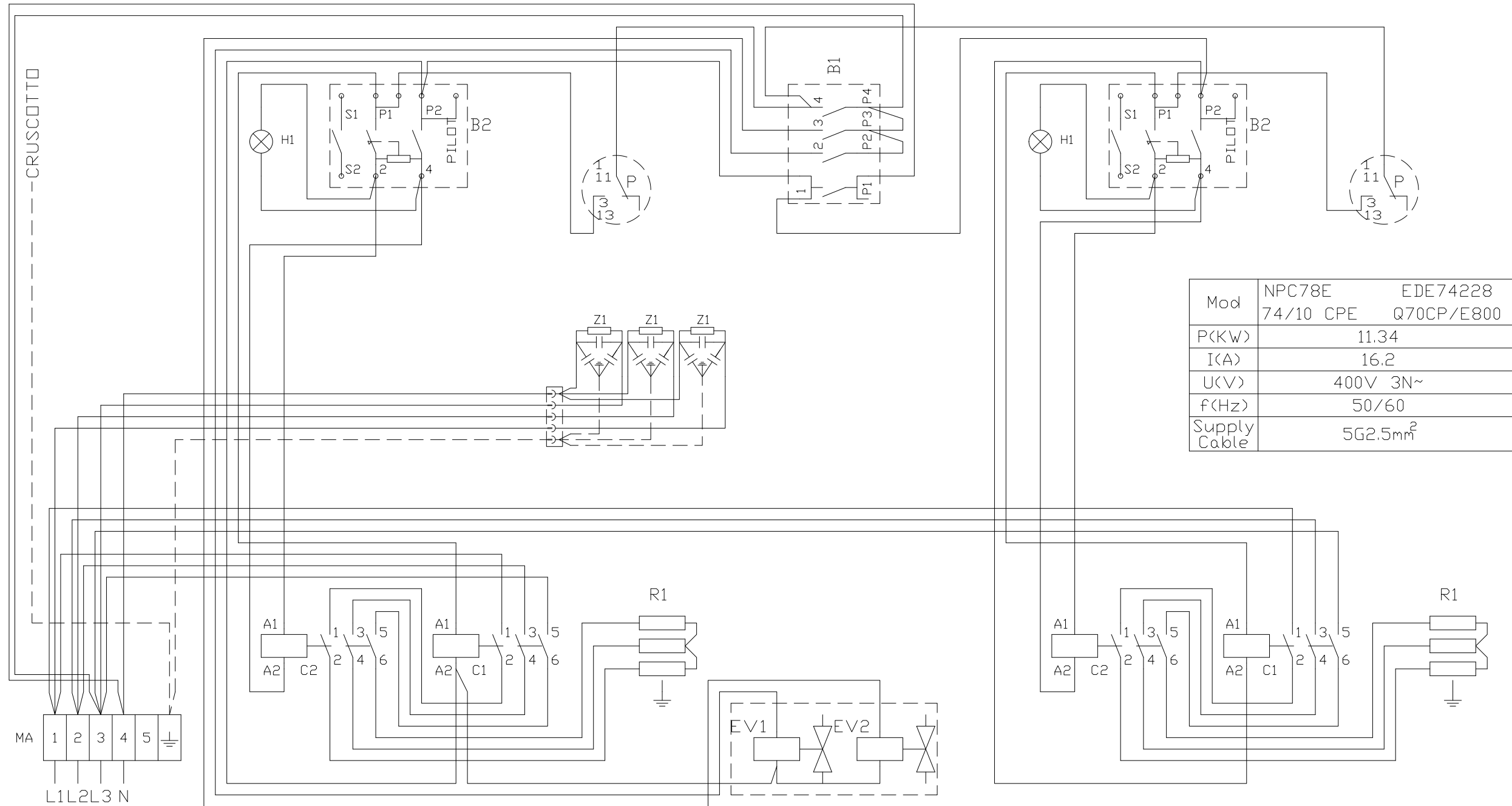
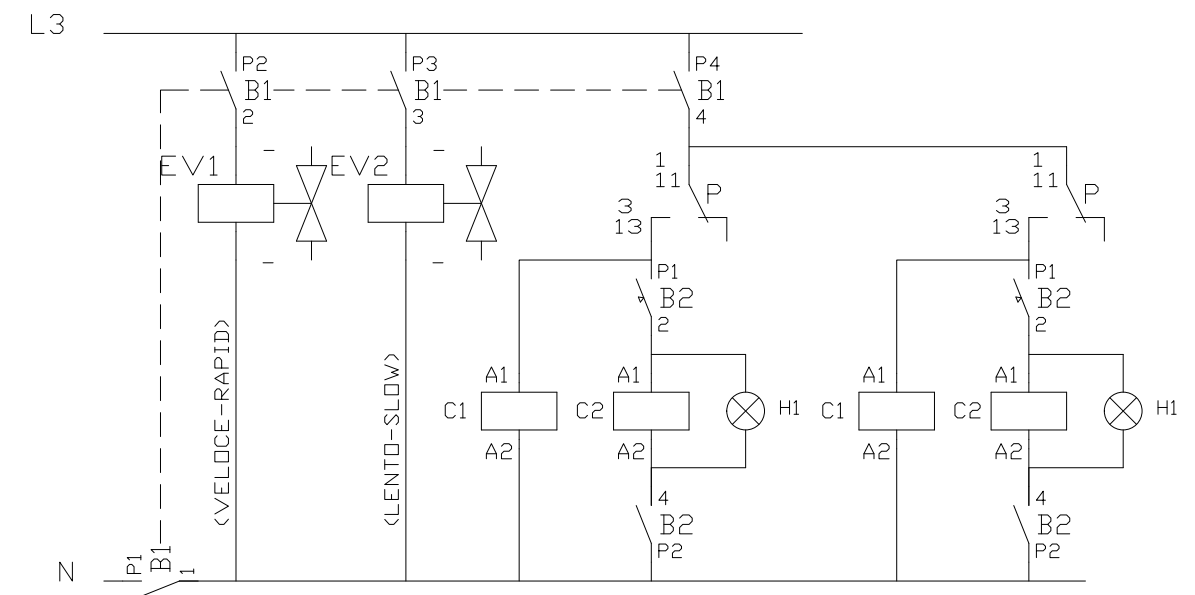


SCHALTPLAN



KBS Gastrotechnik GmbH – Schoßbergstraße 26 – 65201 Wiesbaden


B1	COMMUTATORE	COMMULATEUR	CHANGE-OVER SWITCH	UMSCHALTER
B2	REGOLATORE ENERGIA	REGOLATORE ENERGIE	ENERGY CONTROL	SIMMERSTAT
C1	CONTATTORE DI SICUREZZA	CONTACTEUR DE SECURITE'	SAFETY CONTACTOR	SICHERHEITSSCHUETZ
C2	CONTATTORE	CONTACTEUR	CONTACTOR	KONTAKTSCHALTER
EV1	CARICO ACQUA RAPIDO	GHARGE EAU RAPIDE	RAPID WATER LOAD	WASSERZULAUF SCHNELL
EV2	CARICO ACQUA LENTO	GHARGE EAU LENT	SLOW WATER LOAD	WASSERZULAUF LANGSAM
H1	SPIA ARANCIO	LAMPE ORANGE	ORANGE PILOTLIGHT	ORANGE LAMPE
MA	MORSETTIERA ARRIVO LINEA	BORNES ARRIVEE LIGNE	TERMINAL BLOCK	ANSCHLUSSKLEMME
P	PRESSOSTATO	MANDSTAT	MANDSTAT	PRESSOSTAT (TROCKENGEHSCHUTZ)
R1	RESISTENZA	RESISTANCE	HEATING ELEMENT	HEIZKORPER
Z1	FILTRO ANTIDISTURBO	FILTRE ANTI PARASITE'	SUPPRESSION FILTER	FUNKENTSTOERFILTER



Mod	NPC78E	EDE74228
P(KW)	74/10 CPE	Q70CP/E800
I(A)	11.34	
U(V)	400V 3N~	
f(Hz)	50/60	
Supply Cable	5G2.5mm ²	

	1	2	3	4	
	P1	P2	P3	P4	
0					D
1	X	X		X	D
2	X			X	D
3	X		X	X	D

18005	00	PRIMA EMISSIONE-AGGIORNATO B1	09/02/2018	NARDINI
18026B	01	AGGIUNTO QUEEN	01/06/2018	NARDINI
Rif	Rev	Description	Date	Author

Code	CR0736961			Drawing Description	SCHEMA ELETTRICO CUOCIPASTA NPC78E		Rev.	01
Author	NARDINI			Document Type	SCHEMA ELETTRICO		Document Status	Description
Date	06/02/2018					This document is exclusive property of ALI S.p.A. and should not be distributed, reproduced, into any other format without prior permission of ALI S.p.A. - Specifications subject to change without prior notice -		