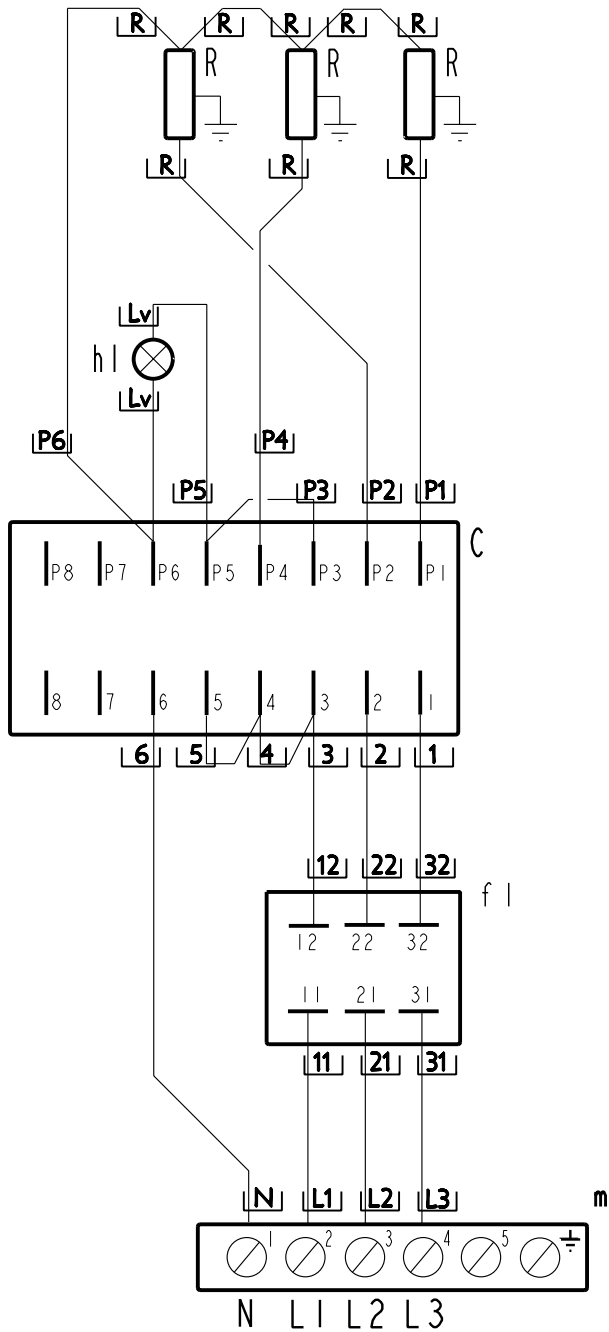


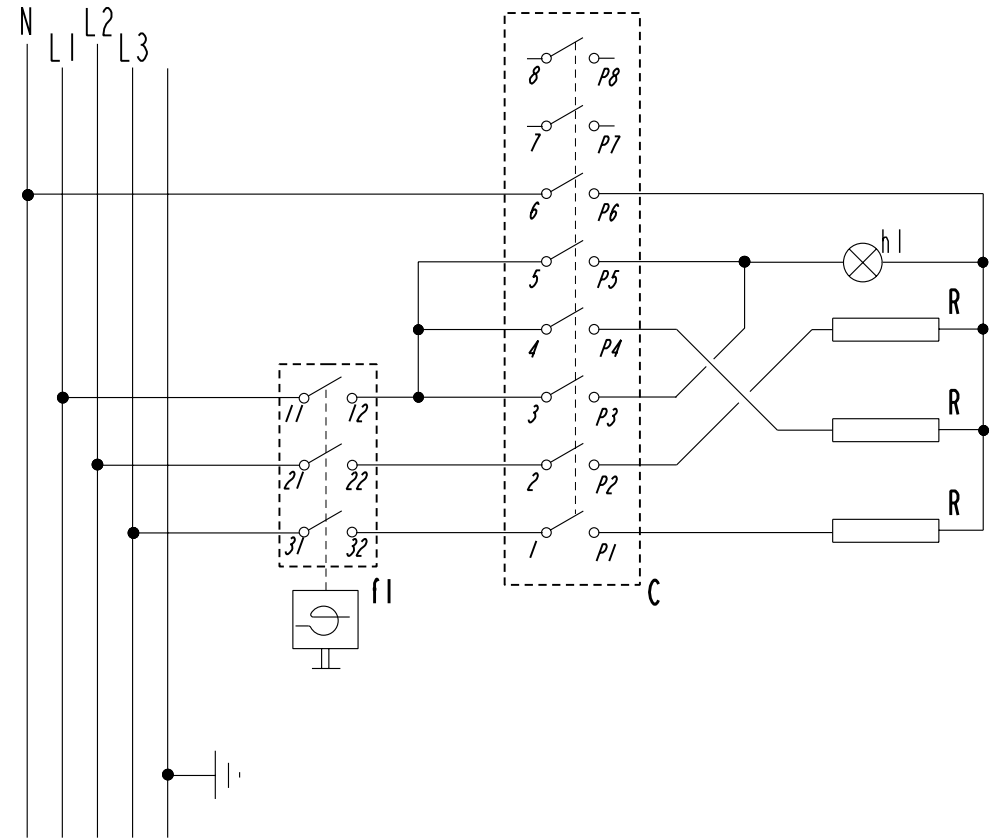
SCHALTPLAN



KBS Gastrotechnik GmbH – Schoßbergstraße 26 – 65201 Wiesbaden



R	Resistenza Elettrica	Heating Element
fI	Limitatore di Temperatura	Temperature Limiting Device
hI	Lampada Presenza Tensione	Tension Signal Lamp
C	Commutatore	Switch
m	Morsettiera	Main Terminal Block



	P1	P2	P3	P4	P5	P6	P7	P8
0								
3	X	X	X	X	X	X		
2	X	X	X			X	X	
1				X	X	X		

5415.166.02
 SCHEMA ELETTRICO WIRING DIAGRAM
 400V ~ 3N
 Mod. CP35E/G6/0
 CP35E/0
 CP35E7
 CP4FE7