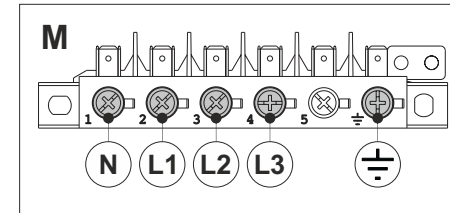
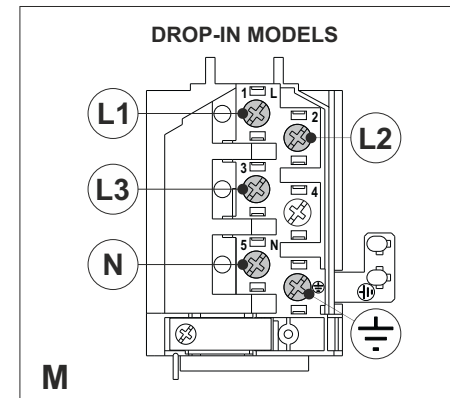
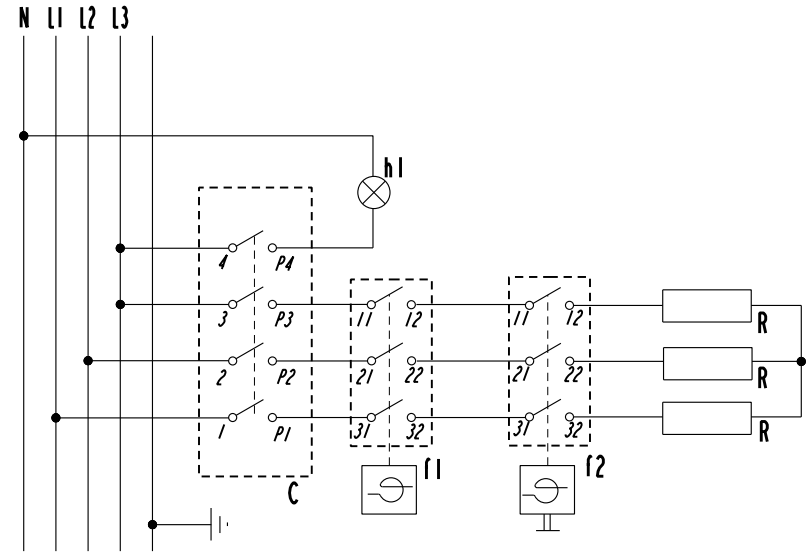
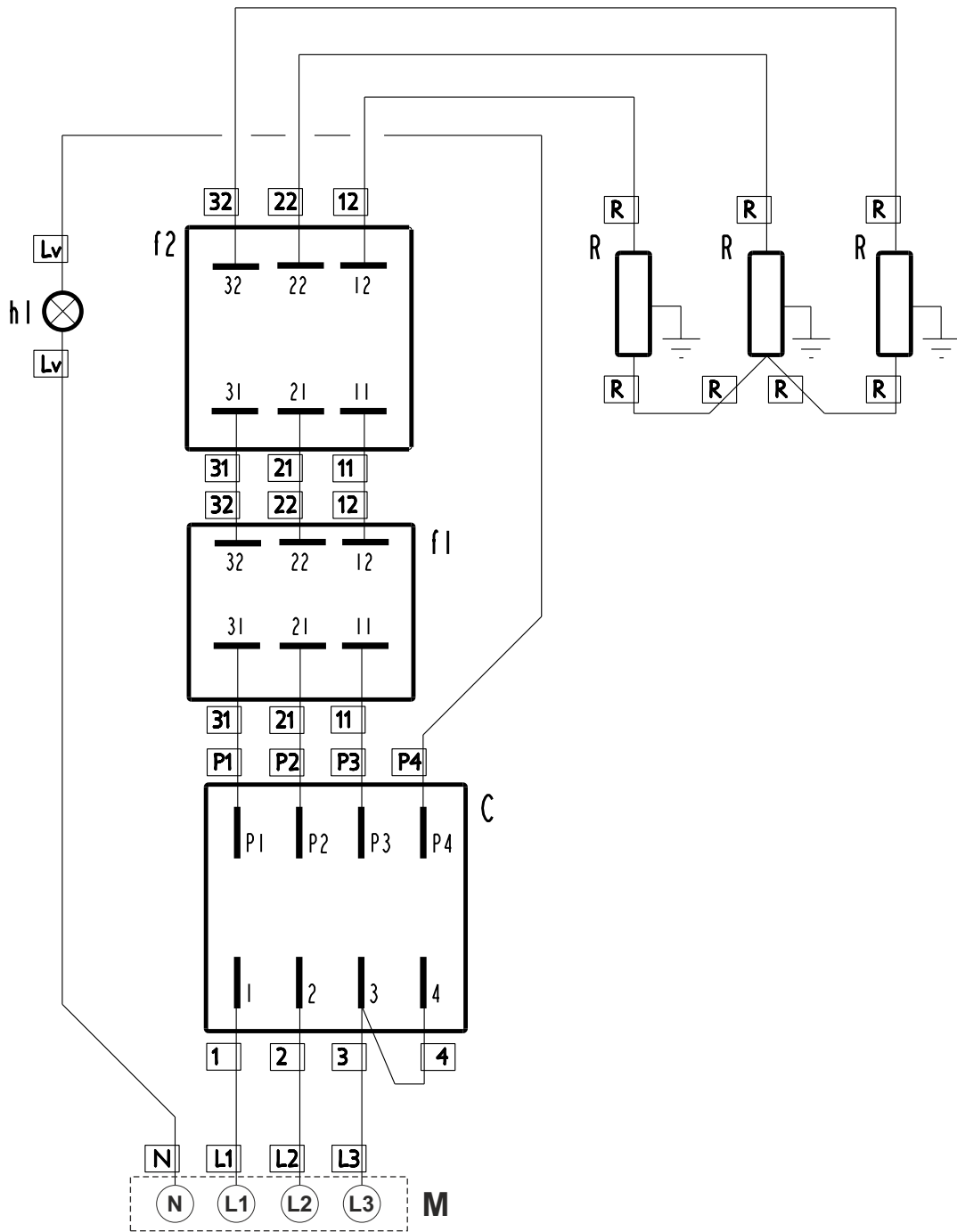


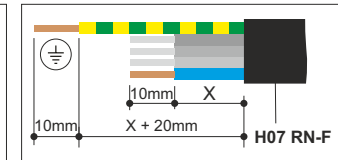
# SCHALTPLAN



KBS Gastrotechnik GmbH – Schoßbergstraße 26 – 65201 Wiesbaden



<b>f2</b>	SAFETY THERMOSTAT TERMOSTATO DE SEGURIDAD THERMOSTAT DE SÉCURITÉ SICHERHEITSTHERMOSTAT THERMOSTATO DI SICUREZZA
<b>f1</b>	WORKING THERMOSTAT TERMOSTATO DE TRABAJO THERMOSTAT DE TRAVAIL ARBEITS-THERMOSTAT THERMOSTATO DI LAVORO
<b>h1</b>	POWER SUPPLY LAMP LÁMPARA DE ALIMENTACIÓN LAMPE D'ALIMENTATION STROMVERSÖRGUNGSLAMPE LAMPADA PRESENZA TENSIONE
<b>C</b>	SWITCH COMUTADOR COMMUTEUR SCHALTER COMMUTATORE
<b>R</b>	HEATING ELEMENT ELEMENTO DE CALEFACCIÓN ÉLÉMENT CHAUFFANT HEIZELEMENT RESISTENZA ELETTRICA
<b>M</b>	TERMINAL BOX CAJA DE TERMINALES TERMINAL BOX TERMINAL BOX MORSETTIERA



**380-415V 3N~ 50/60Hz**