

# SCHALTPLAN



KBS Gastrotechnik GmbH – Schoßbergstraße 26 – 65201 Wiesbaden

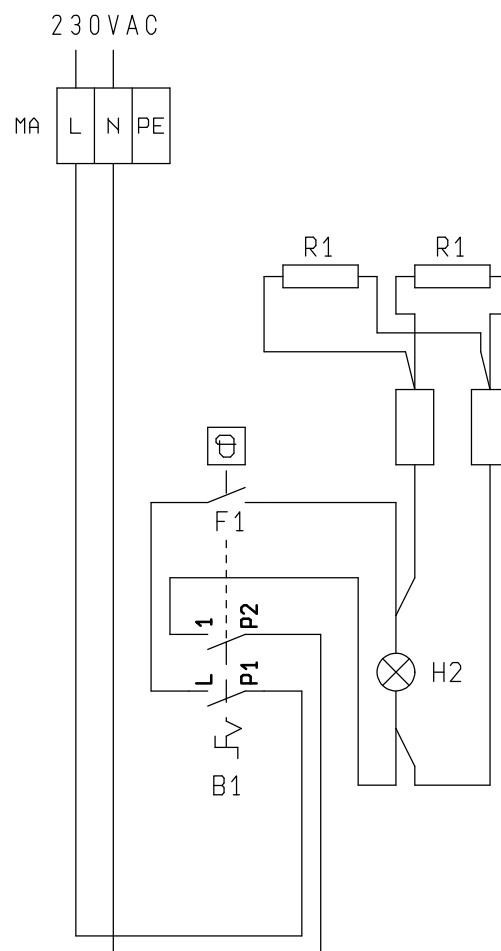
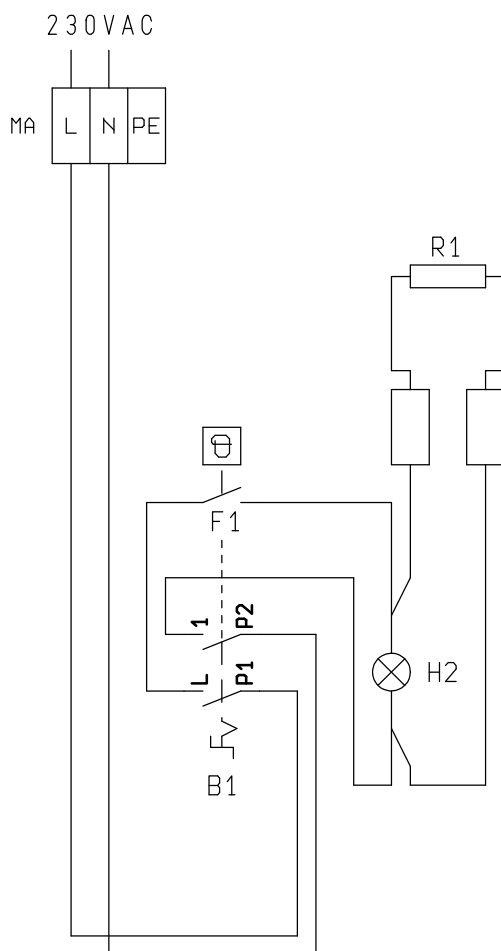
# SCHEMA ELETTRICO BAGNOMARIA 60

DIS.N. CR0935110

DATA 27.12.11

MOD.

|                      |          |         |      |                      |
|----------------------|----------|---------|------|----------------------|
| DESCRIZIONE MODIFICA | DATA     | FIRMA   | MOD. | DESCRIZIONE MODIFICA |
|                      |          |         |      | PRIMA EMISSIONE      |
|                      | 27.12.11 | NARDINI | -    |                      |
| DISEGNATO DA:        |          |         |      |                      |
| NARDINI              |          |         |      |                      |
| APPROVATO DA:        |          |         |      |                      |



| Mod          | B64E<br>6NBM/E400<br>OB64E<br>EME62T | B66E<br>6NBM/E600<br>OB66E<br>EME63T |
|--------------|--------------------------------------|--------------------------------------|
|              | P(KW)                                | 1,0                                  |
| I(A)         | 4,3                                  | 7,8                                  |
| U(V)         | 230V~                                |                                      |
| f(Hz)        | 50/60                                |                                      |
| Supply Cable | 3G1mm <sup>2</sup>                   |                                      |

| Mod          | B68E<br>6NBM/E800<br>OB68E<br>EME64T |
|--------------|--------------------------------------|
|              | P(KW)                                |
| I(A)         | 8,7                                  |
| U(V)         | 230V~                                |
| f(Hz)        | 50/60                                |
| Supply Cable | 3G1mm <sup>2</sup>                   |

|    |                          |                      |                   |                  |
|----|--------------------------|----------------------|-------------------|------------------|
| B1 | INTERRUTTORE             | INTERRUPTEUR         | CUT-OFF SWITCH    | EIN-AUS SCHALTER |
| F1 | TERMOSTATO DI LAVORO     | THERMOSTAT           | THERMOSTAT        | THERMOSTAT       |
| H2 | SPIA ARANCIO             | LAMPE ORANGE         | ORANGE PILOTLIGHT | ORANGE LAMPE     |
| MA | MORSETTIERA ARRIVO LINEA | BORNES ARRIVEE LIGNE | TERMINAL BLOCK    | ANSCHLUSSKLEMME  |
| R1 | RESISTENZA               | RESISTANCE           | HEATING ELEMENT   | HEIZKORPER       |