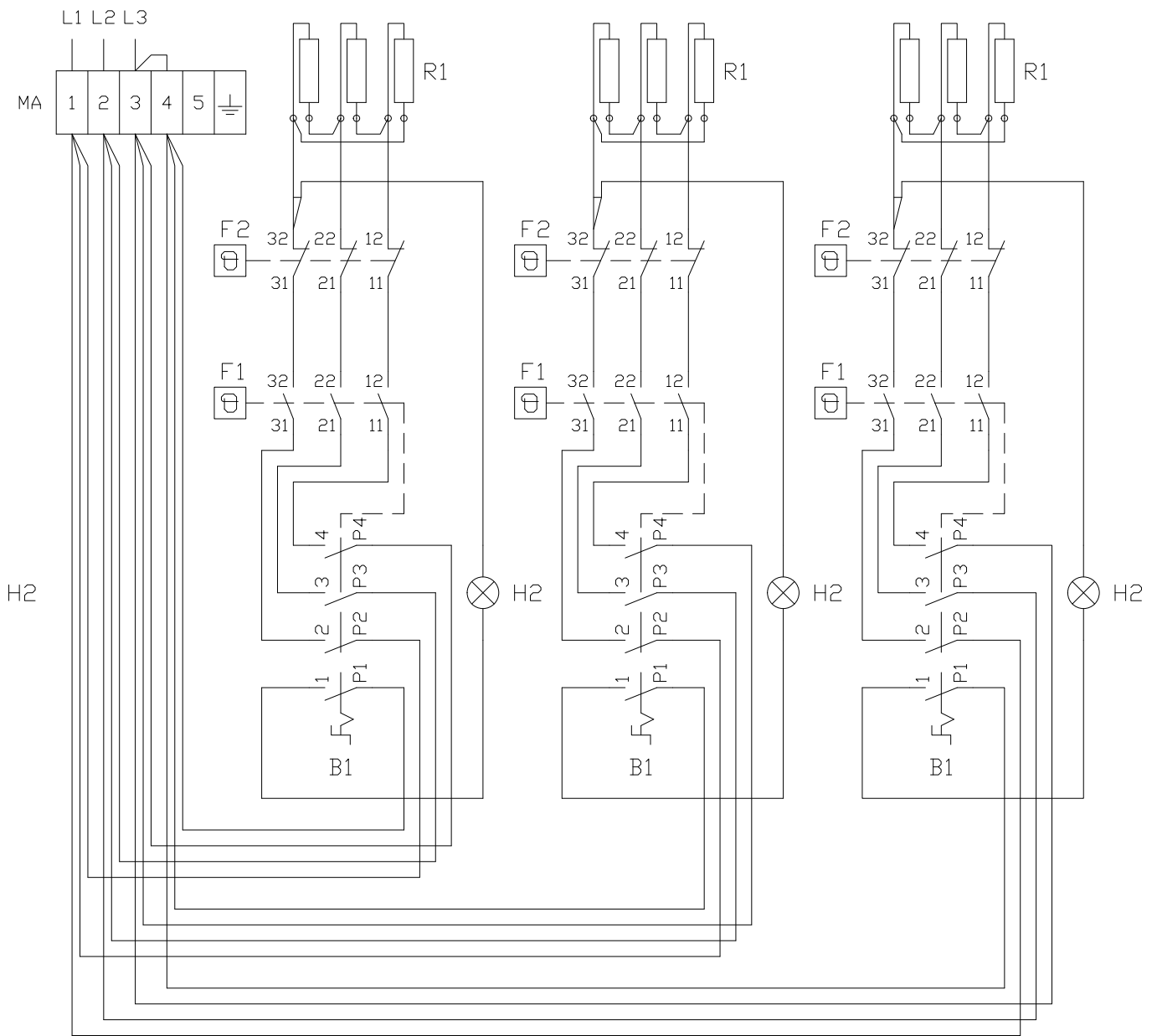
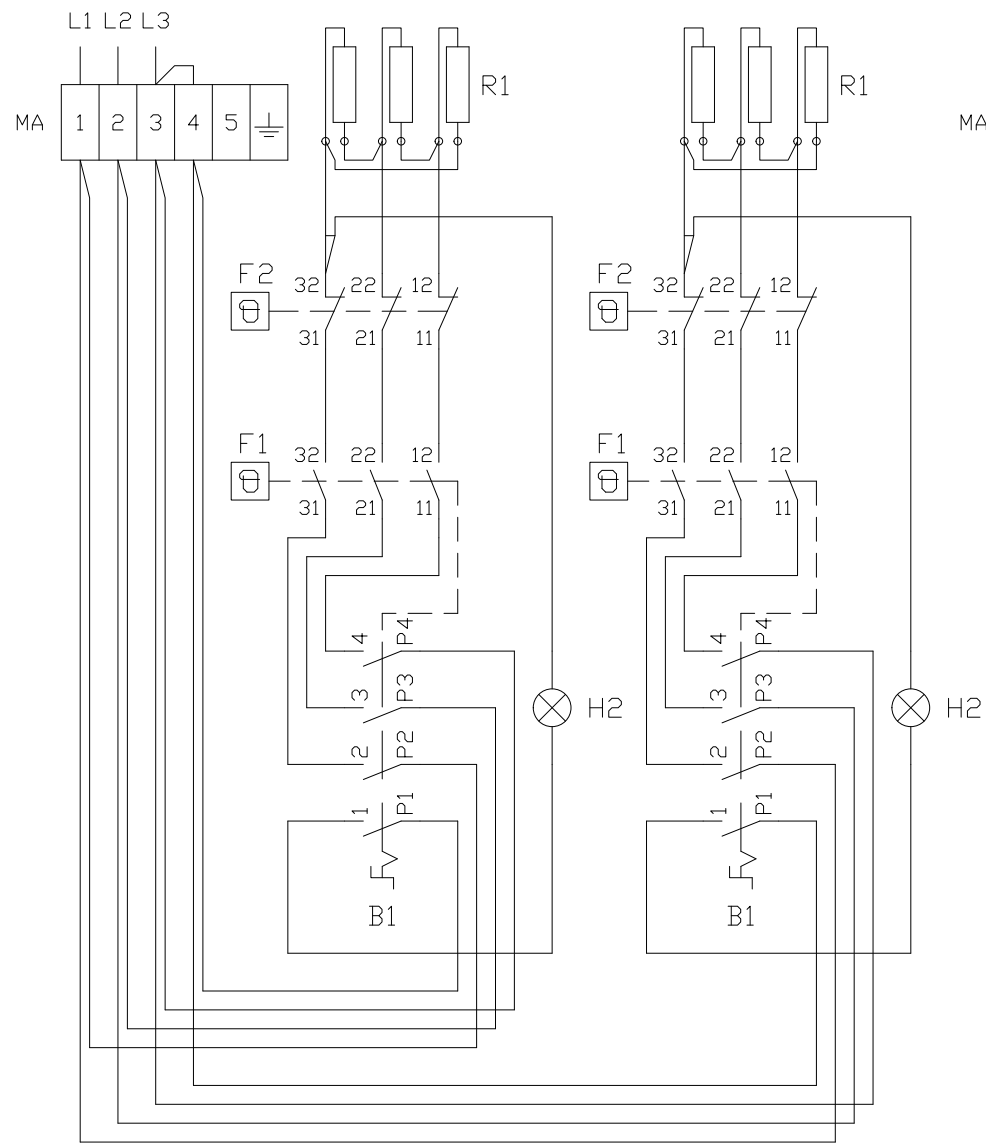
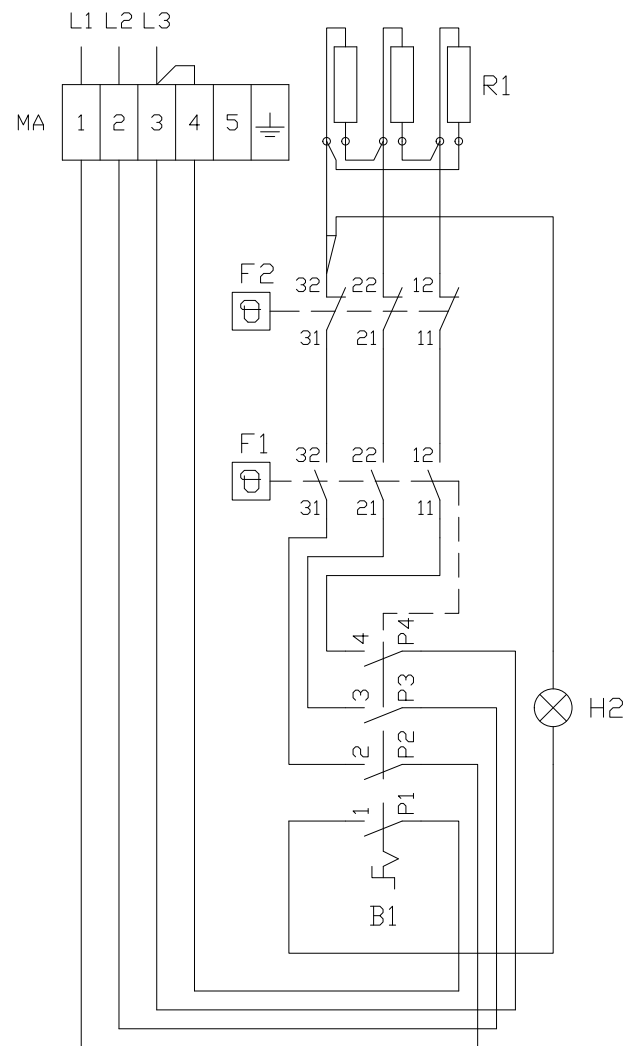


SCHALTPLAN



KBS Gastrotechnik GmbH – Schoßbergstraße 26 – 65201 Wiesbaden




Mod	FT64E..2 6NFT/E400.. DFT64E.. EBE62T..
P(KW)	3.9
I(A)	9.8
U(V)	220-240V 3
f(Hz)	50-60
Supply Cable	4G1.5mm ²

Mod	FT66E..2 6NFT/E400.. DFT66E.. EBE63T..
P(KW)	7.8
I(A)	19.6
U(V)	220-240V 3
f(Hz)	50-60
Supply Cable	4G2.5mm ²

Mod	FT610E..2 6NFT/E1000.. DFT610E.. EBE65T..
P(KW)	11.7
I(A)	29.4
U(V)	220-240V 3
f(Hz)	50-60
Supply Cable	4G4mm ²

B1	INTERRUTTORE	INTERRUPTEUR	CUT-OFF SWITCH	EIN-AUS SCHALTER
F1	TERMOSTATO DI LAVORO	THERMOSTAT	THERMOSTAT	THERMOSTAT
F2	TERMOSTATO DI SICUREZZA	THERMOSTAT DE SICURETE'	SAFETY THERMOSTAT	TEMPERATURBEGRENZER
H2	SPIA ARANCIO	LAMPE ORANGE	ORANGE PILOTLIGHT	ORANGE LAMPE
MA	MORSETTIERA ARRIVO LINEA	BORNES ARRIVEE LIGNE	TERMINAL BLOCK	ANSCHLUSSKLEMME
R1	RESISTENZA	RESISTANCE	HEATING ELEMENT	HEIZKORPER

Code	CR1340000	Drawing Description	SCHEMA ELETTRICO FRY-TOP 60 230V3	Rev.	00
Author	NARDINI	Document Type	SCHEMA ELETTRICO	Document Status	Description
Date	05/09/2018	 This document is exclusive property of ALI S.p.A. and should not be distributed, reproduced, into any other format without prior permission of ALI S.p.A. - Specifications subject to change without prior notice -			