

# SCHALTPLAN



KBS Gastrotechnik GmbH – Schoßbergstraße 26 – 65201 Wiesbaden

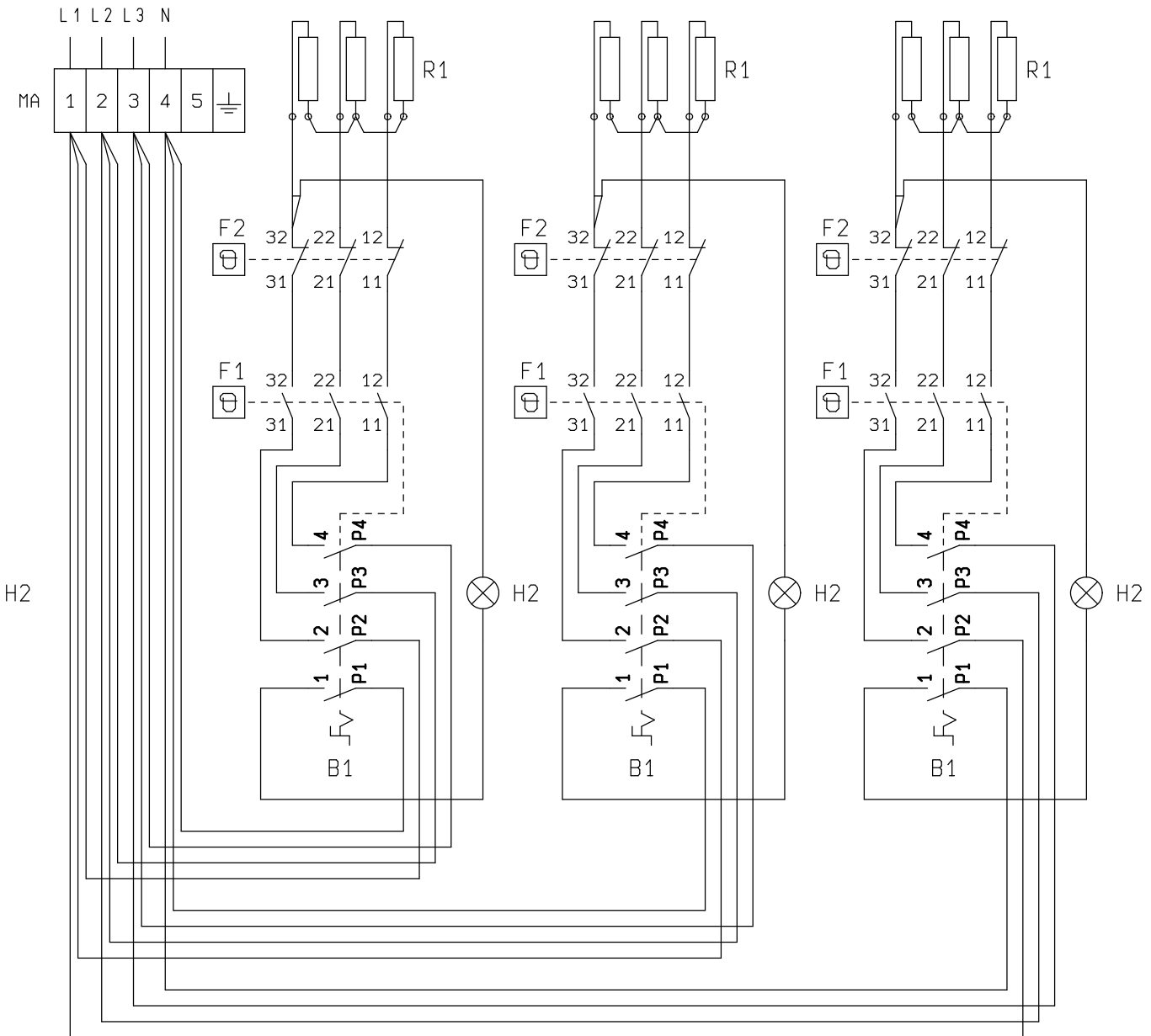
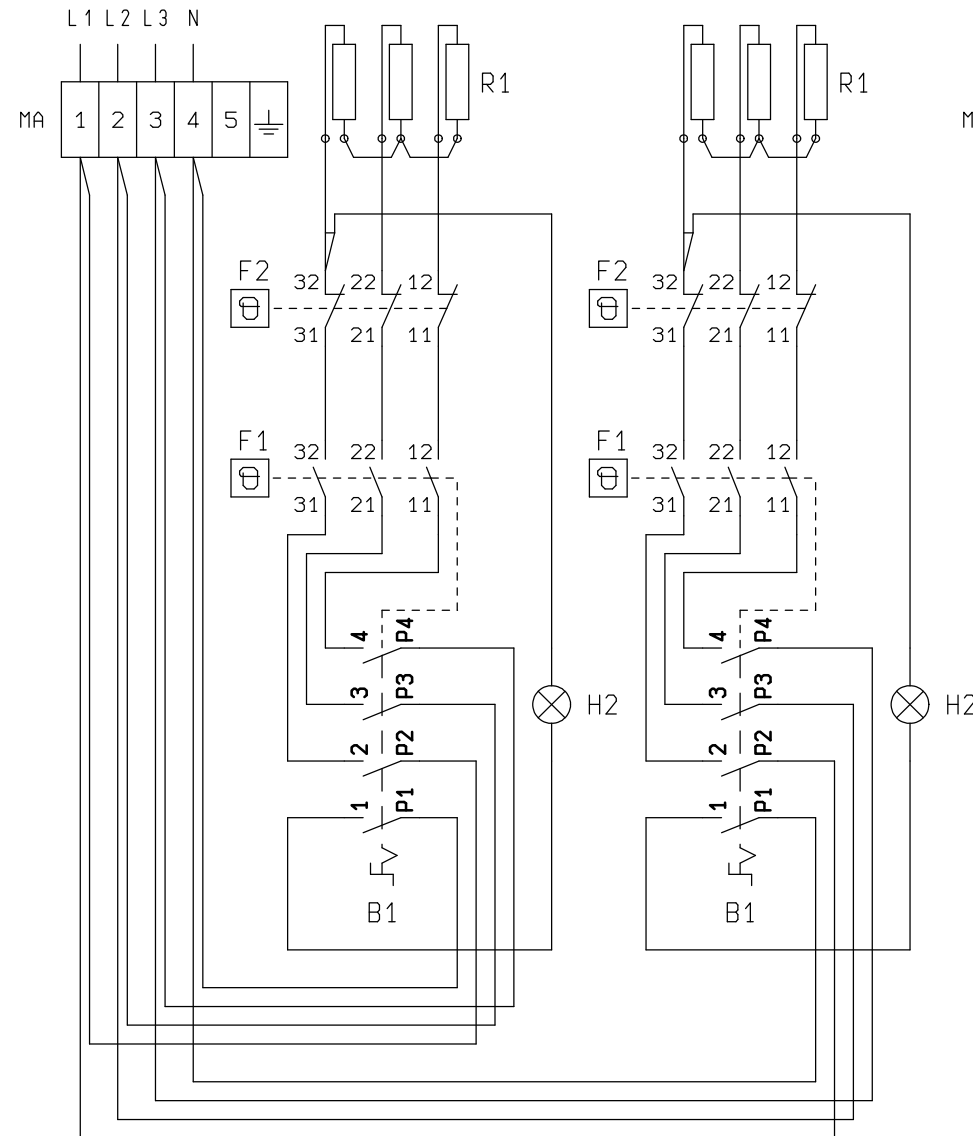
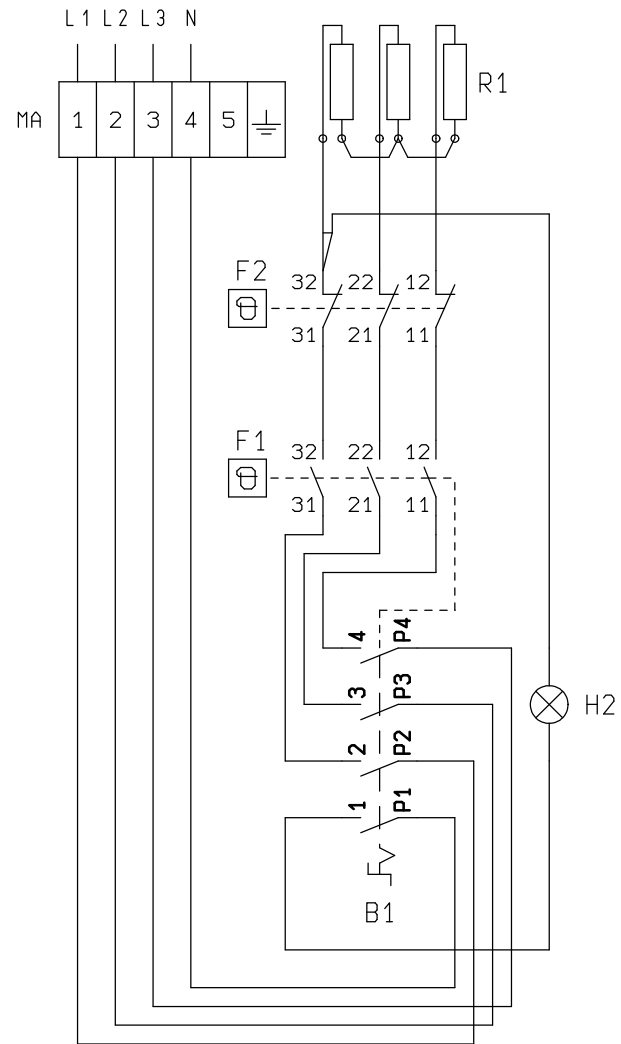
# SCHEMA ELETTRICO FRY-TOP 60 400V

DIS.N. CR0935690

DATA 21.12.11

MOD. -

DESCRIZIONE MODIFICA	DATA	FIRMA	MOD.
PRIMA EMISSIONE	21.12.11	NARDINI	-
DESCRIZIONE MODIFICA	DATA	FIRMA	MOD.
DESCRIZIONE MODIFICA	DATA	FIRMA	MOD.
DISEGNATO DA:			
NARDINI			
APPROVATO DA:			

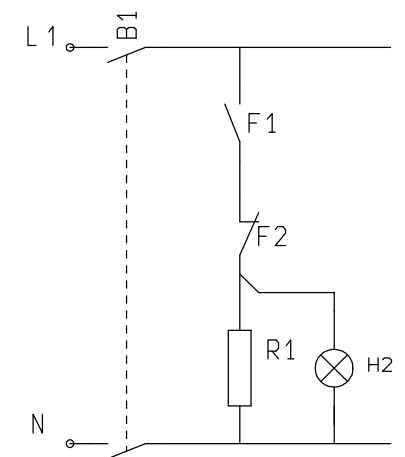


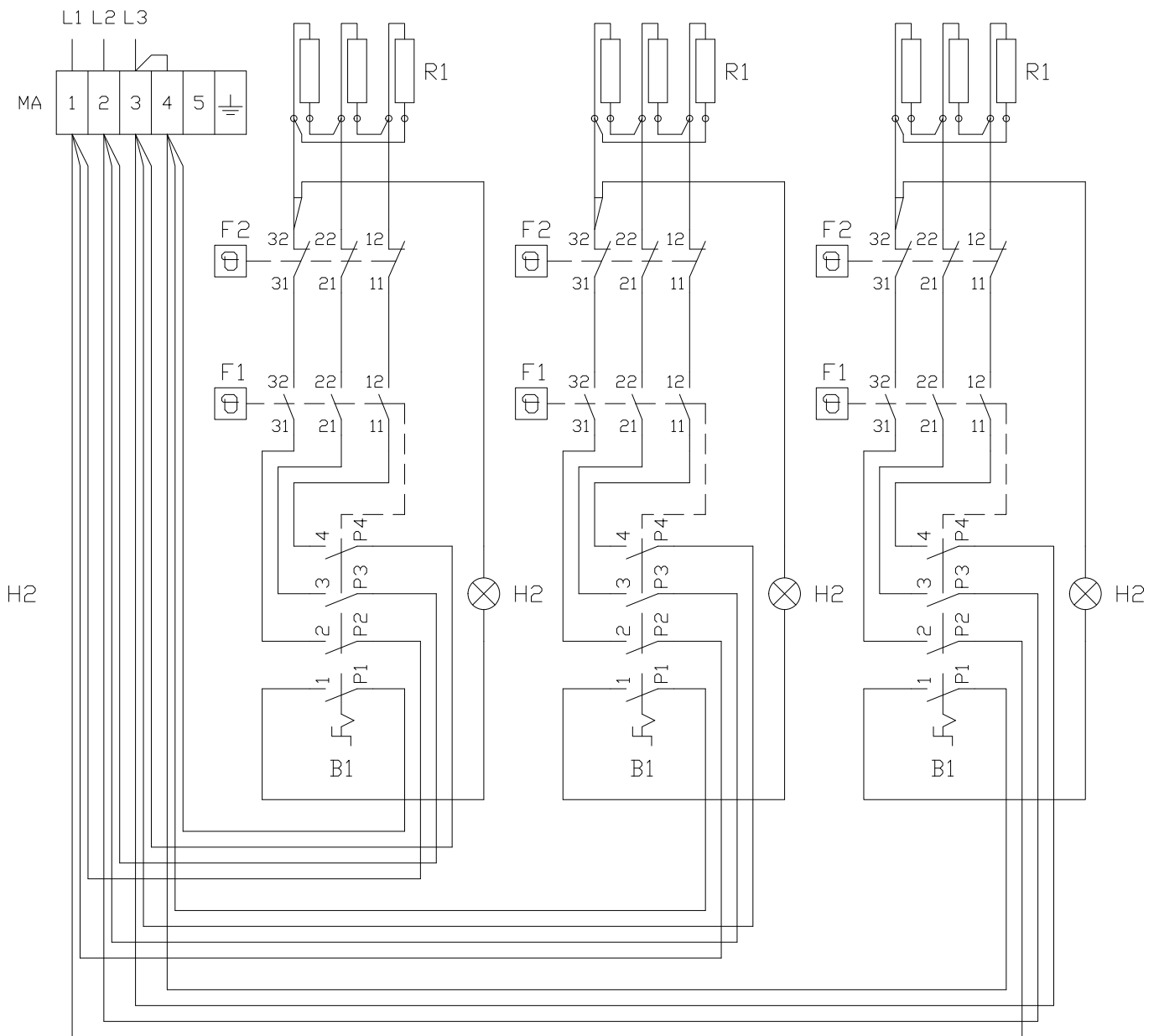
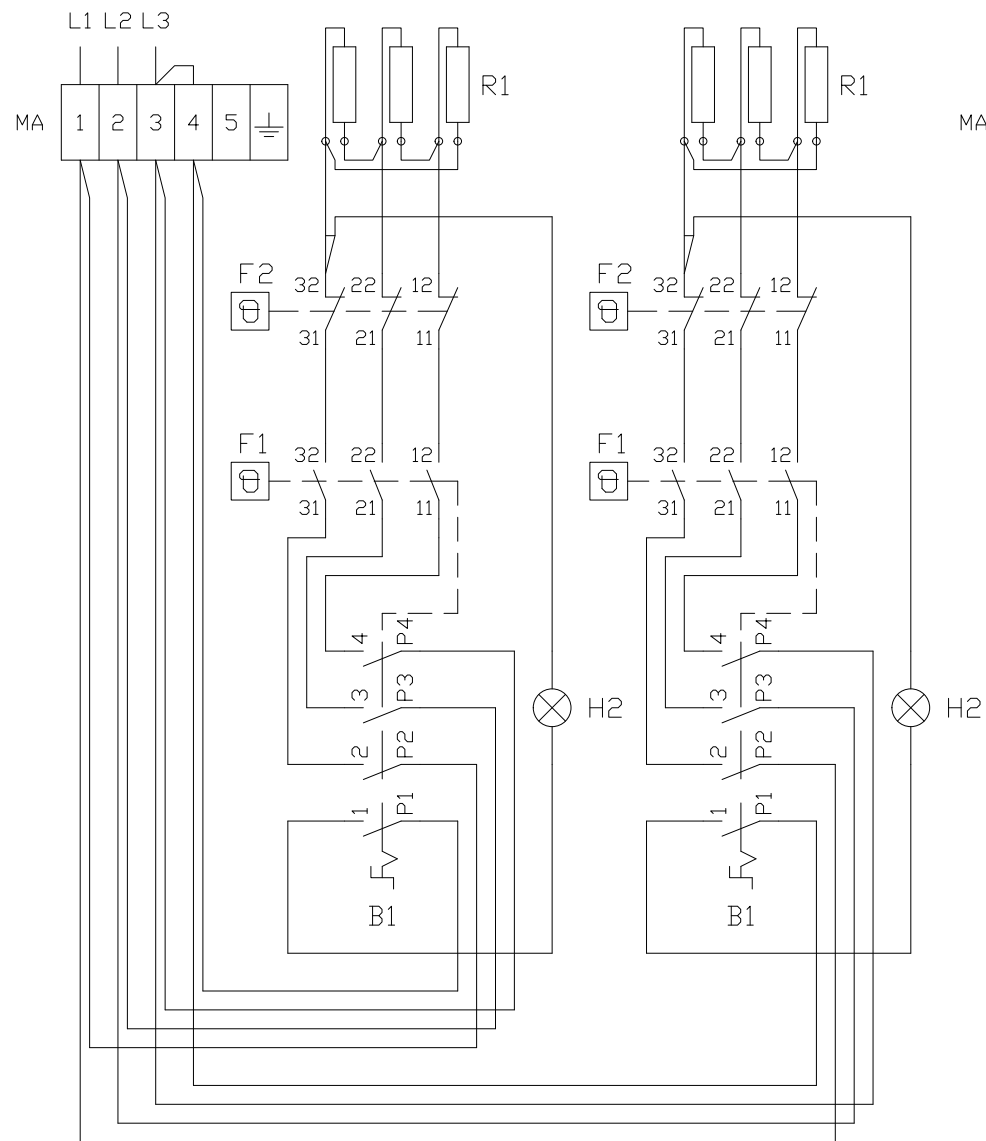
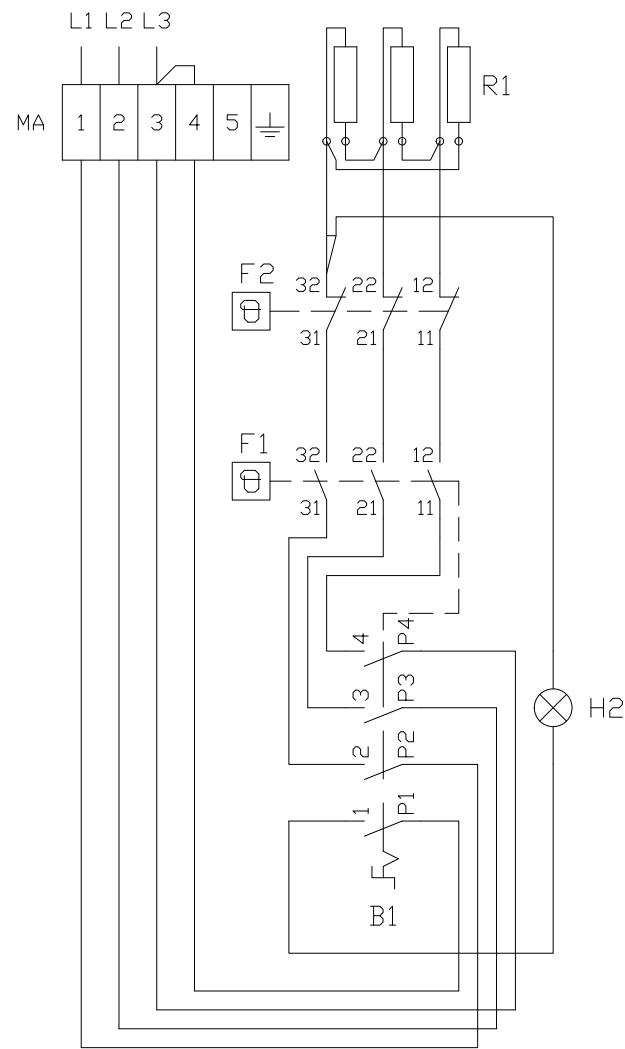
Mod	FT64E.. 6NFT/E400.. OFT64E.. EBE62T..	VB64E 6NBF/E400 OVB64E ECM62T
P(KW)	3.9	4.05
I(A)	5.6	5.8
U(V)	400V3N~	
f(Hz)	50/60	
Supply Cable	5G1mm <sup>2</sup>	

Mod	FT66E.. 6NFT/E400.. OFT66E.. EBE63T..	VB66E 6NBF/E600 OVB66E ECM63T
P(KW)	7.8	8.1
I(A)	11.3	11.7
U(V)	400V3N~	
f(Hz)	50/60	
Supply Cable	5G1.5mm <sup>2</sup>	

Mod	FT610E.. 6NFT/E1000.. OFT610E.. EBE65T..
P(KW)	11.7
I(A)	16.9
U(V)	400V3N~
f(Hz)	50/60
Supply Cable	5G2.5mm <sup>2</sup>

- |    |                          |                         |                   |                     |
|----|--------------------------|-------------------------|-------------------|---------------------|
| B1 | INTERRUTTORE             | INTERRUPTEUR            | CUT-OFF SWITCH    | EIN-AUS SCHALTER    |
| F1 | TERMOSTATO DI LAVORO     | THERMOSTAT              | THERMOSTAT        | THERMOSTAT          |
| F2 | TERMOSTATO DI SICUREZZA  | THERMOSTAT DE SICURITE' | SAFETY THERMOSTAT | TEMPERATURBEGRENZER |
| H2 | SPIA ARANCIO             | LAMPE ORANGE            | ORANGE PILOTLIGHT | ORANGE LAMPE        |
| MA | MORSETTIERA ARRIVO LINEA | BORNES ARRIVEE LIGNE    | TERMINAL BLOCK    | ANSCHLUSSKLEMME     |
| R1 | RESISTENZA               | RESISTANCE              | HEATING ELEMENT   | HEIZKORPER          |






Mod	FT64E..2 6NFT/E400.. DFT64E.. EBE62T..
P(KW)	3.9
I(A)	9.8
U(V)	220-240V 3
f(Hz)	50-60
Supply Cable	4G1.5mm <sup>2</sup>

Mod	FT66E..2 6NFT/E400.. DFT66E.. EBE63T..
P(KW)	7.8
I(A)	19.6
U(V)	220-240V 3
f(Hz)	50-60
Supply Cable	4G2.5mm <sup>2</sup>

Mod	FT610E..2 6NFT/E1000.. DFT610E.. EBE65T..
P(KW)	11.7
I(A)	29.4
U(V)	220-240V 3
f(Hz)	50-60
Supply Cable	4G4mm <sup>2</sup>

B1	INTERRUTTORE	INTERRUPTEUR	CUT-OFF SWITCH	EIN-AUS SCHALTER
F1	TERMOSTATO DI LAVORO	THERMOSTAT	THERMOSTAT	THERMOSTAT
F2	TERMOSTATO DI SICUREZZA	THERMOSTAT DE SECURITE'	SAFETY THERMOSTAT	TEMPERATURBEGRENZER
H2	SPIA ARANCIO	LAMPE ORANGE	ORANGE PILOTLIGHT	ORANGE LAMPE
MA	MORSETTIERA ARRIVO LINEA	BORNES ARRIVEE LIGNE	TERMINAL BLOCK	ANSCHLUSSKLEMME
R1	RESISTENZA	RESISTANCE	HEATING ELEMENT	HEIZKORPER

Code	CR1340000	Drawing Description	SCHEMA ELETTRICO FRY-TOP 60 230V3	Rev.	00
Author	NARDINI	Document Type	SCHEMA ELETTRICO	Document Status	Description
Date	05/09/2018	 This document is exclusive property of ALI S.p.A. and should not be distributed, reproduced, into any other format without prior permission of ALI S.p.A. - Specifications subject to change without prior notice -			

18058	00	RIDISEGNATO E CODIFICATO (ERA FSCR0935690A)	05/09/2018	NARDINI
Rif	Rev	Description	Date	Author