

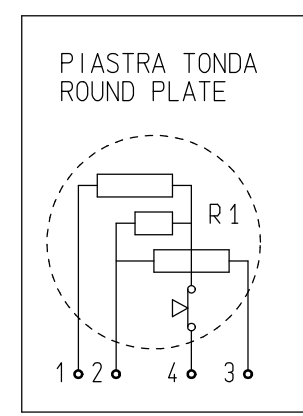
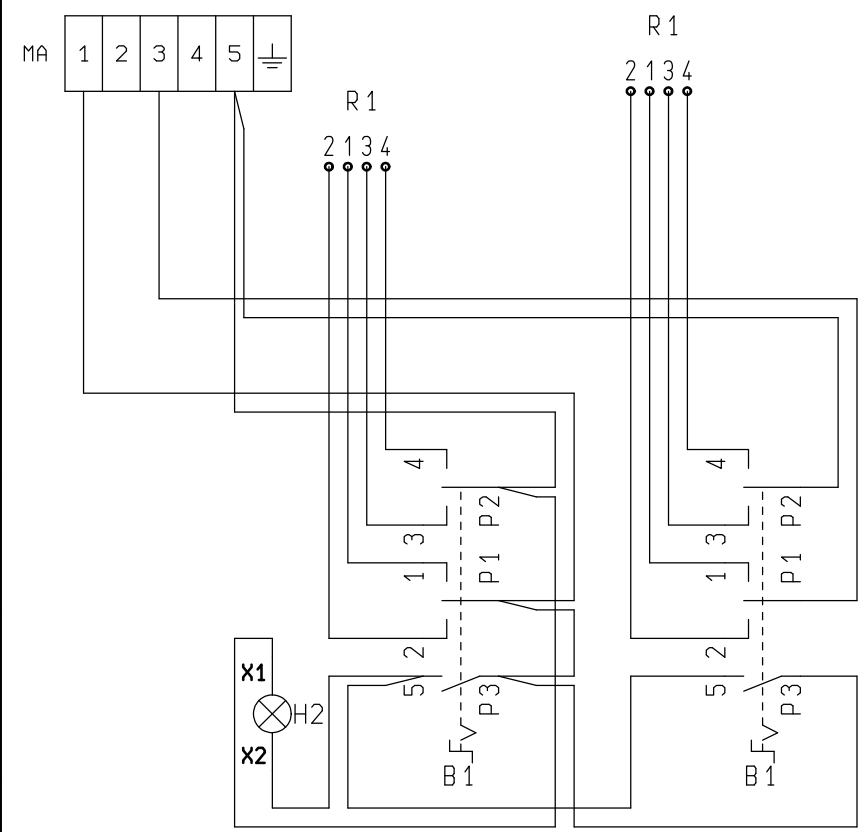
# SCHALTPLAN



KBS Gastrotechnik GmbH – Schoßbergstraße 26 – 65201 Wiesbaden

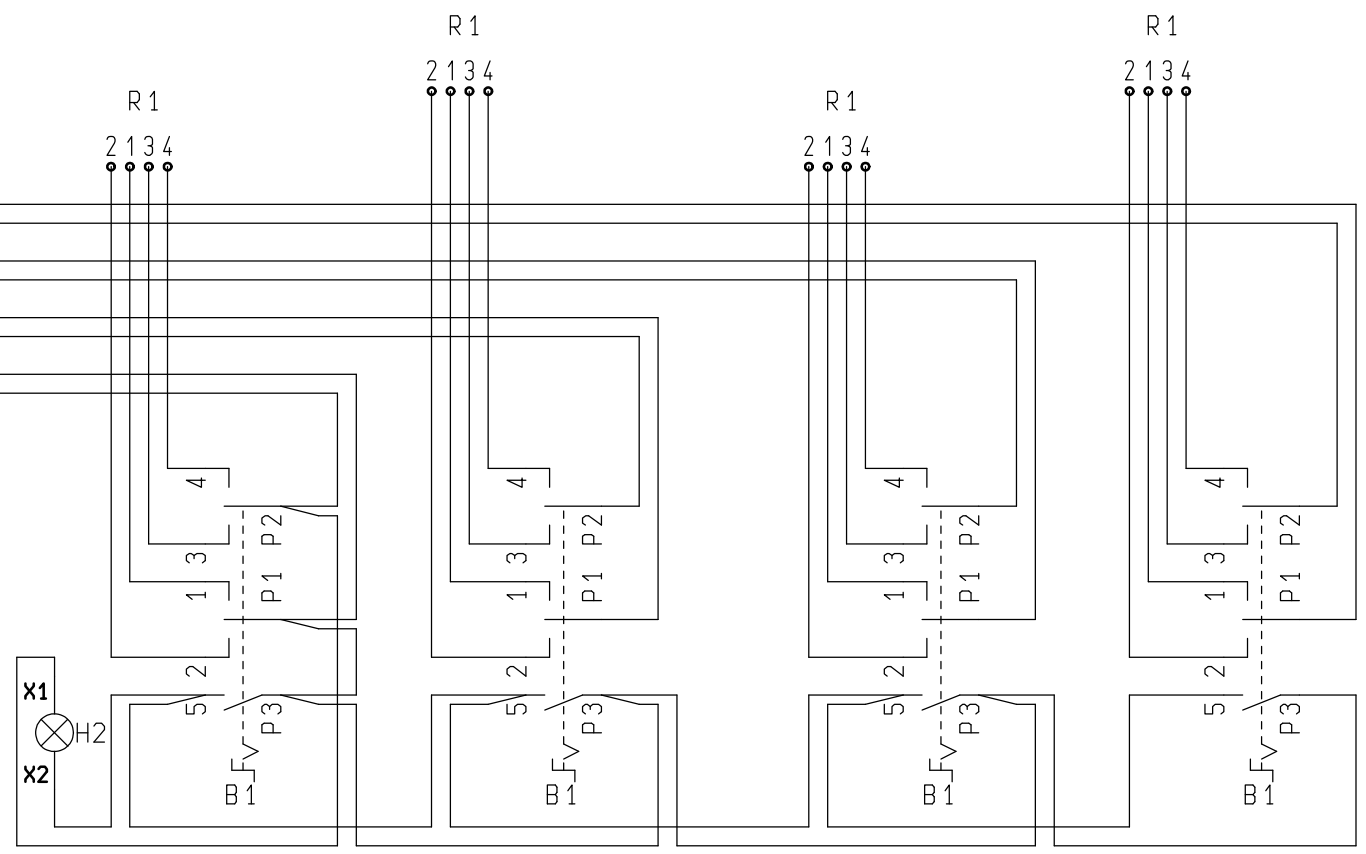
# SCHEMA ELETTRICO PIASTRE GHISA TOP 60

|                      |          |         |      |
|----------------------|----------|---------|------|
| DESCRIZIONE MODIFICA | DATA     | FIRMA   | MOD. |
|                      |          |         |      |
| PRIMA EMISSIONE      | 16.11.11 | NARDINI | -    |
| DESCRIZIONE MODIFICA |          |         |      |
| DISEGNATO DA:        | NARDINI  |         |      |
| APPROVATO DA:        |          |         |      |



B 1

|     |   |   |   |   |   |   |   |
|-----|---|---|---|---|---|---|---|
| P2  | 3 | X |   | X | X | X |   |
|     | 4 |   | X | X | X | X |   |
| P1  | 3 |   | X |   |   |   |   |
|     | 2 |   |   | X | X | X |   |
|     | 1 | X |   |   |   | X |   |
| P3  | 5 | X | X | X | X | X |   |
| POS | 0 | 1 | 2 | 3 | 4 | 5 | 6 |



|        |   |                      |                      |
|--------|---|----------------------|----------------------|
| Mod    | <b>C64E</b><br>6NPC/E400<br>OC64E<br>ECE62T |                      |                      |
|        |   |                      |                      |
| P(KW)  | 4.1   |                      |                      |
| I (A)  | 11.3  | 15.6                 | 17.8                 |
| U(V)   | 400V 3N~                                    | 230V 3~              | 230V~                |
| f (Hz) | 50/60                                       |                      |                      |
| Cable  | 5G1.5mm <sup>2</sup>                        | 4G2.5mm <sup>2</sup> | 3G2.5mm <sup>2</sup> |
|        |   |                      |                      |

|        |   |                      |                      |
|--------|---|----------------------|----------------------|
| Mod    | <b>C64EP</b><br>6NPC/E400P<br>OC64EP<br>ECE62TP |                      |                      |
|        |   |                      |                      |
| P(KW)  | 5.2   |                      |                      |
| I (A)  | 11.3  | 19.6                 | 22.6                 |
| U(V)   | 400V 3N~  | 230V 3~              | 230V~                |
| f (Hz) | 50/60   |                      |                      |
| Cable  | 5G1.5mm <sup>2</sup>                            | 4G2.5mm <sup>2</sup> | 3G2.5mm <sup>2</sup> |
|        |   |                      |                      |

|        |   |                      |                    |
|--------|---|----------------------|--------------------|
| Mod    | <b>C67E</b><br>6NPC/E700<br>OC67E<br>ECE67T |                      |                    |
|        |   |                      |                    |
| P(KW)  | 8.2   |                      |                    |
| I (A)  | 13  | 21.1                 | 35.7               |
| U(V)   | 400V 3N~                                    | 230V 3~              | 230V~              |
| f (Hz) | 50/60                                       |                      |                    |
| Cable  | 5G1.5mm <sup>2</sup>                        | 4G2.5mm <sup>2</sup> | 3G6mm <sup>2</sup> |
|        |   |                      |                    |

|        |   |                    |  |
|--------|---|--------------------|--|
| Mod    | <b>C67EP</b><br>6NPC/E700P<br>OC67EP<br>ECE64TP |                    |  |
|        |   |                    |  |
| P(KW)  | 10.4  |                    |  |
| I (A)  | 22.6  | 29.9               |  |
| U(V)   | 400V 3N~  | 230V 3~            |  |
| f (Hz) | 50/60   |                    |  |
| Cable  | 5G2.5mm <sup>2</sup>                            | 4G4mm <sup>2</sup> |  |
|        |   |                    |  |

- |    |                          |                      |                        |                    |
|----|--------------------------|----------------------|------------------------|--------------------|
| B1 | COMMUTATORE              | COMMUTEUR            | CHANGE-OVER SWITCH     | UMSCHALTER         |
| H2 | SPIA ARANCIO             | LAMPE ORANGE         | ORANGE PILOTLIGHT      | ORANGE LAMPE       |
| MA | MORSETTIERA ARRIVO LINEA | BORNES ARRIVEE LIGNE | TERMINAL BLOCK         | ANSCHLUSSKLEMME    |
| R1 | PIASTRA ELETTRICA        | PLAQUE ELECTRIQUE    | ELECTRIC COOKING PLATE | ELEKTRO-KOCHPLATTE |

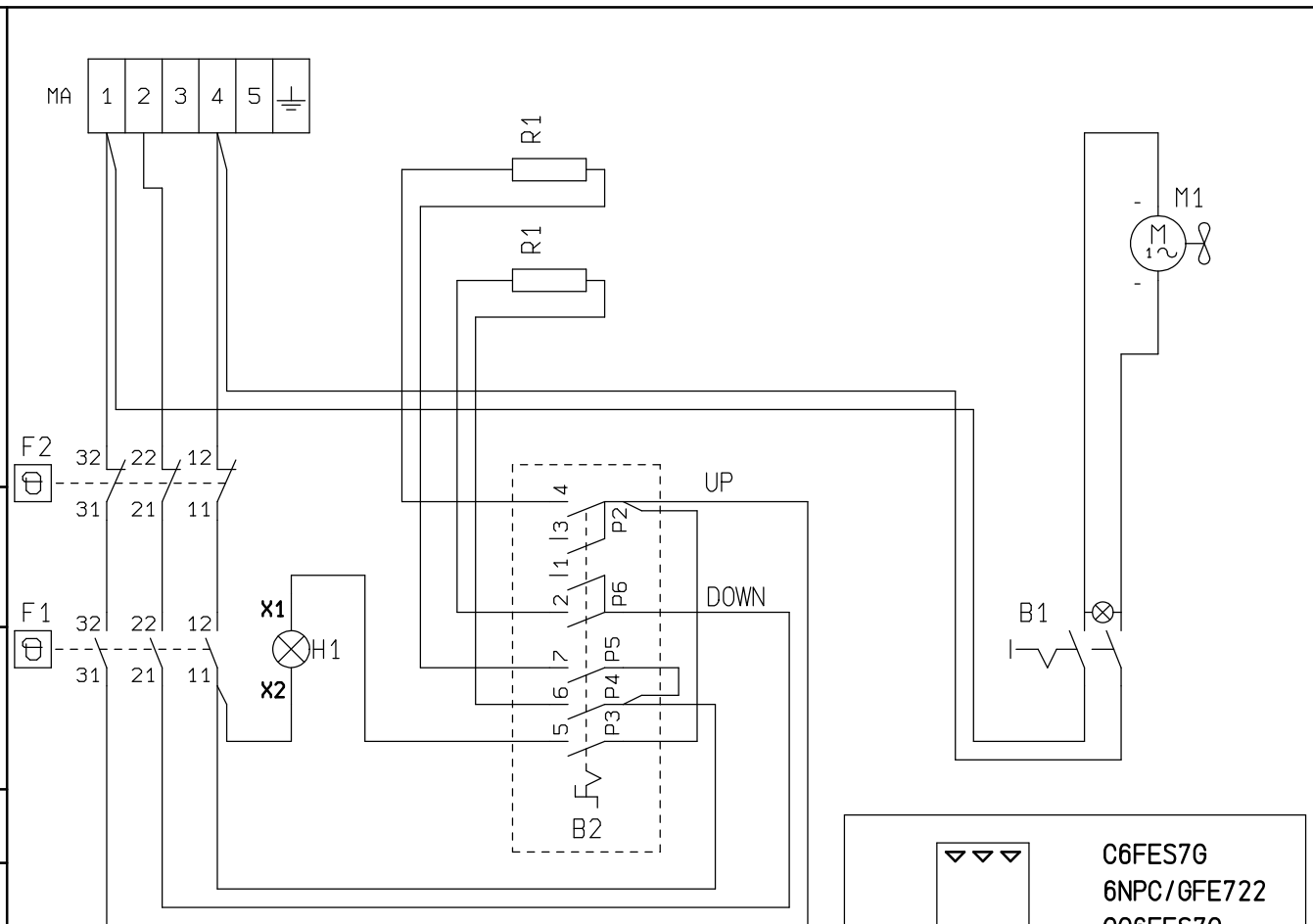
# SCHEMA ELETTRICO CUCINA MISTA 60

DIS.N. CR0935730

DATA 29.12.11

MOD.

|   |                  |                  |           |
|---|------------------|------------------|-----------|
| DESCRIZIONE MODIFICA                    | DATA             | FIRMA            | MOD.      |
|   |                  |                  |           |
| DESCRIZIONE MODIFICA<br>PRIMA EMISSIONE | DATA<br>14.02.12 | FIRMA<br>NARDINI | MOD.<br>- |
| DI SEGNA TO DA :<br>NARDINI             | APPROVA TO DA :  |                  |           |

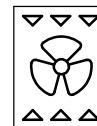


B2

|     |   |   |    |    |    |    |    |   |   |
|-----|---|---|----|----|----|----|----|---|---|
| ●   | D | X | X  | X  | X  | X  | X  | X | X |
| ◐   | D |   | X  |    | X  |    | X  |   | X |
| ◑   | D | X |    | X  |    | X  |    | X |   |
| ○   | D |   |    |    |    |    |    |   |   |
| POS |   | 4 | 3  | 1  | 2  | 7  | 6  | 5 |   |
|     |   |   | P2 | P6 | P5 | P4 | P3 |   |   |



C6FES7G  
6NPC/GFE722  
OC6FES7G  
ECG64E



C6FEV7G  
6NPC/GFEV722  
OC6FEV7G  
ECG64EV

|        |                       |                      |
|--------|-----------------------|----------------------|
| P (KW) | 4.2                   |                      |
| I (A)  | 9.1                   | 15.8                 |
| U (V)  | 400V 3N~              | 230V 3~              |
| f (Hz) | 50/60                 |                      |
| Cable  | 5G1.5mm <sup>2</sup>  | 4G2.5mm <sup>2</sup> |
|        | 400VAC 3N<br>L1L2L3 N | 230VAC 3<br>L1L2L3   |
|        | MA 1 2 3 4 5          | MA 1 2 3 4 5         |

| VERSIONI VENTILATE          | VERSIONS VENTILE'       | FAN VERSION             | VENTILATOR VERSION  |
|-----------------------------|-------------------------|-------------------------|---------------------|
| B1 INTERRUTTORE VENTILATORE | COMMUTEUR VENTILATEUR   | FAN SWITCH              | VENTILATOR SCHALTER |
| M1 VENTILATORE              | VENTILATEUR             | FAN                     | VENTILATOR          |
| B2 COMMUTATORE FORNO        | COMMUTEUR FOUR          | OVEN CHANGE-OVER SWITCH | BACKOFEN UMSCHALTER |
| F1 TERMOSTATO FORNO         | THERMOSTAT FOUR         | OVEN THERMOSTAT         | BACKOFEN THERMOSTAT |
| F2 TERMOSTATO DI SICUREZZA  | THERMOSTAT DE SICURITE' | SAFETY THERMOSTAT       | TEMPERATURBEGRENZER |
| H1 SPIA ARANCIO             | LAMPE ORANGE            | ORANGE PILOTLIGHT       | ORANGE LAMPE        |
| MA MORSETTIERA ARRIVO LINEA | BORNES ARRIVEE LIGNE    | TERMINAL BLOCK          | ANSCHLUSSKLEMME     |
| R1 RESISTENZA FORNO         | RESISTANCE FOUR         | OVEN HEATING            | BACKOFEN HEIZKORPER |