

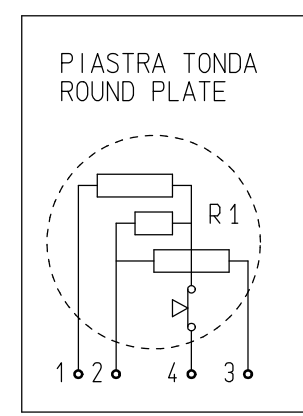
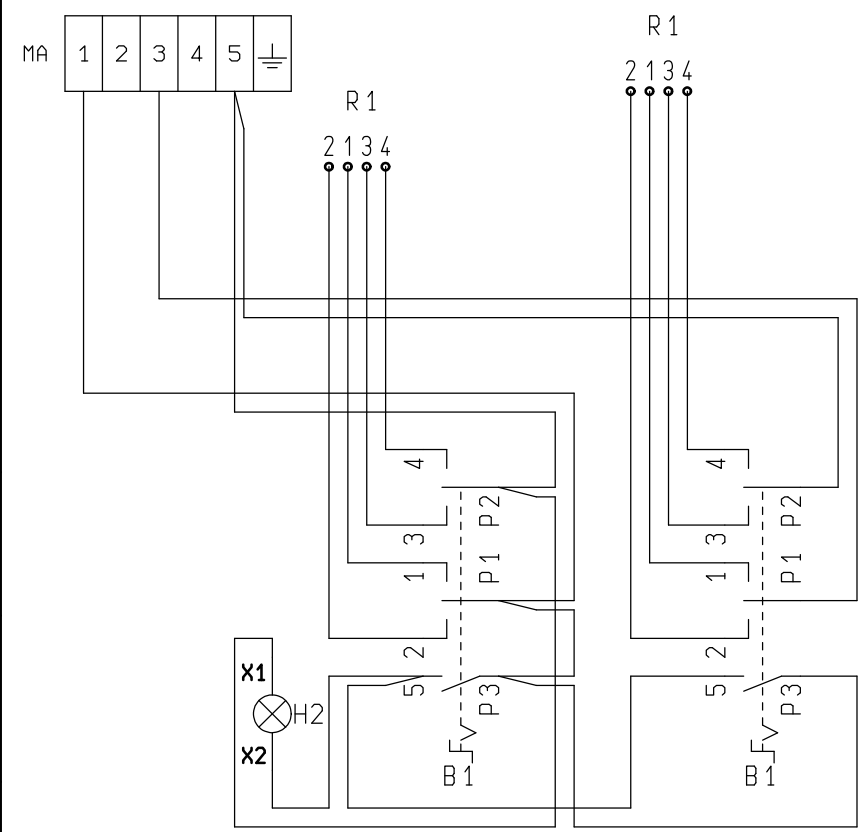
SCHALTPLAN



KBS Gastrotechnik GmbH – Schoßbergstraße 26 – 65201 Wiesbaden

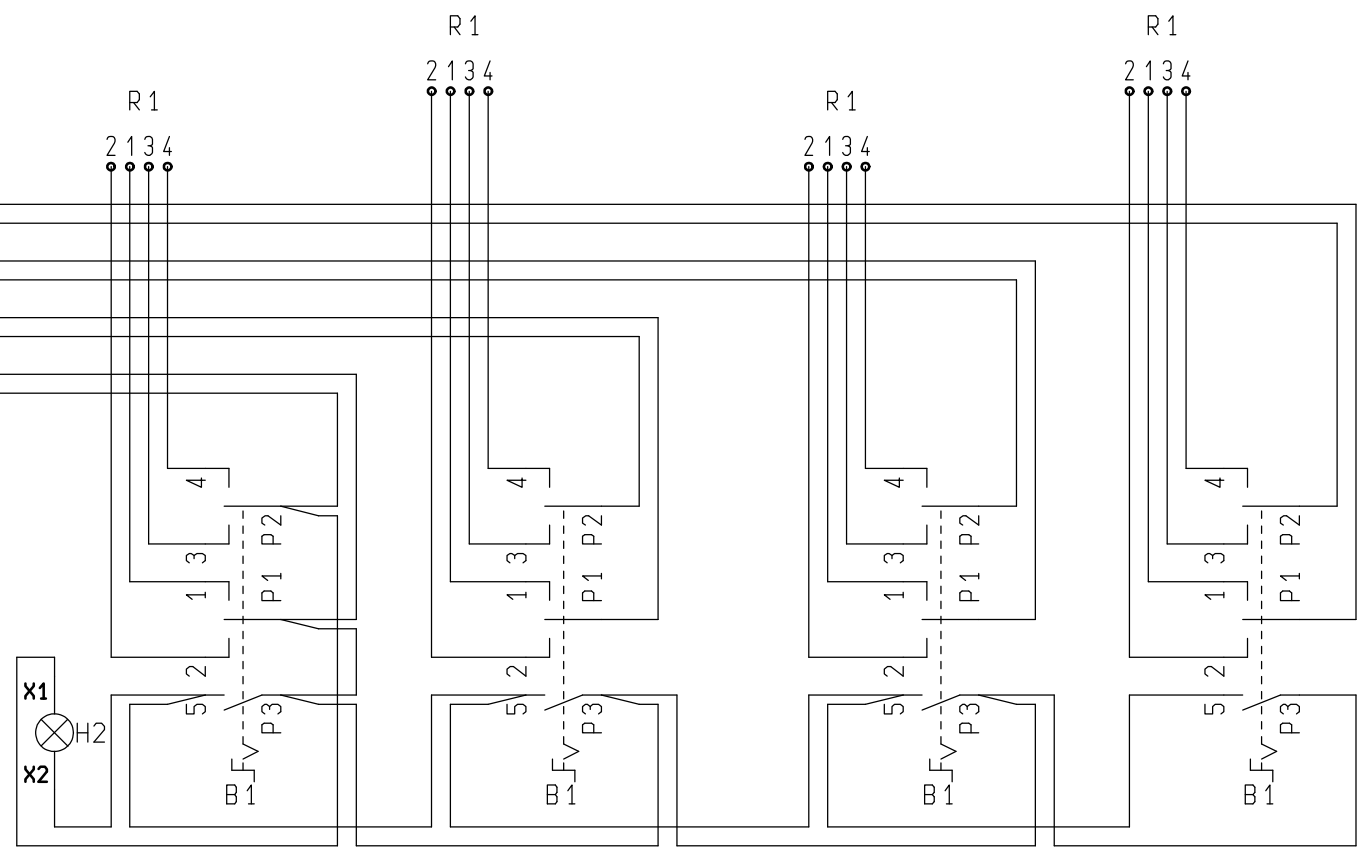
SCHEMA ELETTRICO PIASTRE GHISA TOP 60

DESCRIZIONE MODIFICA
 DATA
 FIRMA
 MOD.
 DESCRIZIONE MODIFICA
 PRIMA EMISSIONE
 DATA
 FIRMA
 MOD.
 DISEGNATO DA:
 APPROVATO DA:



B 1

| | | | | | | | |
|-----|---|---|---|---|---|---|---|
| P2 | 3 | X | | X | X | X | |
| | 4 | | X | X | X | X | |
| P1 | 3 | | X | | | | |
| | 2 | | X | X | X | X | |
| | 1 | X | | | | X | |
| P3 | 5 | X | X | X | X | X | |
| POS | 0 | 1 | 2 | 3 | 4 | 5 | 6 |



| | | | |
|--------|---|----------------------|----------------------|
| Mod | C64E 6NPC/E400 OC64E ECE62T | | |
| | | | |
| P(KW) | 4.1 | | |
| I (A) | 11.3 | 15.6 | 17.8 |
| U(V) | 400V 3N~ | 230V 3~ | 230V~ |
| f (Hz) | 50/60 | | |
| Cable | 5G1.5mm ² | 4G2.5mm ² | 3G2.5mm ² |
| | | | |
| | L1L2L3 N 400VAC 3N | L1 L2 L3 230VAC 3 | L1 N 230VAC |

| | | | |
|--------|---|----------------------|----------------------|
| Mod | C64EP 6NPC/E400P OC64EP ECE62TP | | |
| | | | |
| P(KW) | 5.2 | | |
| I (A) | 11.3 | 19.6 | 22.6 |
| U(V) | 400V 3N~ | 230V 3~ | 230V~ |
| f (Hz) | 50/60 | | |
| Cable | 5G1.5mm ² | 4G2.5mm ² | 3G2.5mm ² |
| | | | |
| | L1L2L3 N 400VAC 3N | L1 L2 L3 230VAC 3 | L1 N 230VAC |

| | | | |
|--------|---|----------------------|--------------------|
| Mod | C67E 6NPC/E700 OC67E ECE67T | | |
| | | | |
| P(KW) | 8.2 | | |
| I (A) | 13 | 21.1 | 35.7 |
| U(V) | 400V 3N~ | 230V 3~ | 230V~ |
| f (Hz) | 50/60 | | |
| Cable | 5G1.5mm ² | 4G2.5mm ² | 3G6mm ² |
| | | | |
| | L1L2L3 N 400VAC 3N | L1 L2 L3 230VAC 3 | L1 N 230VAC |

| | | | |
|--------|---|----------------------|--|
| Mod | C67EP 6NPC/E700P OC67EP ECE64TP | | |
| | | | |
| P(KW) | 10.4 | | |
| I (A) | 22.6 | 29.9 | |
| U(V) | 400V 3N~ | 230V 3~ | |
| f (Hz) | 50/60 | | |
| Cable | 5G2.5mm ² | 4G4mm ² | |
| | | | |
| | L1L2L3 N 400VAC 3N | L1 L2 L3 230VAC 3 | |

- | | | | | |
|----|--------------------------|----------------------|------------------------|--------------------|
| B1 | COMMUTATORE | COMMUTEUR | CHANGE-OVER SWITCH | UMSCHALTER |
| H2 | SPIA ARANCIO | LAMPE ORANGE | ORANGE PILOTLIGHT | ORANGE LAMPE |
| MA | MORSETTIERA ARRIVO LINEA | BORNES ARRIVEE LIGNE | TERMINAL BLOCK | ANSCHLUSSKLEMME |
| R1 | PIASTRA ELETTRICA | PLAQUE ELECTRIQUE | ELECTRIC COOKING PLATE | ELEKTRO-KOCHPLATTE |

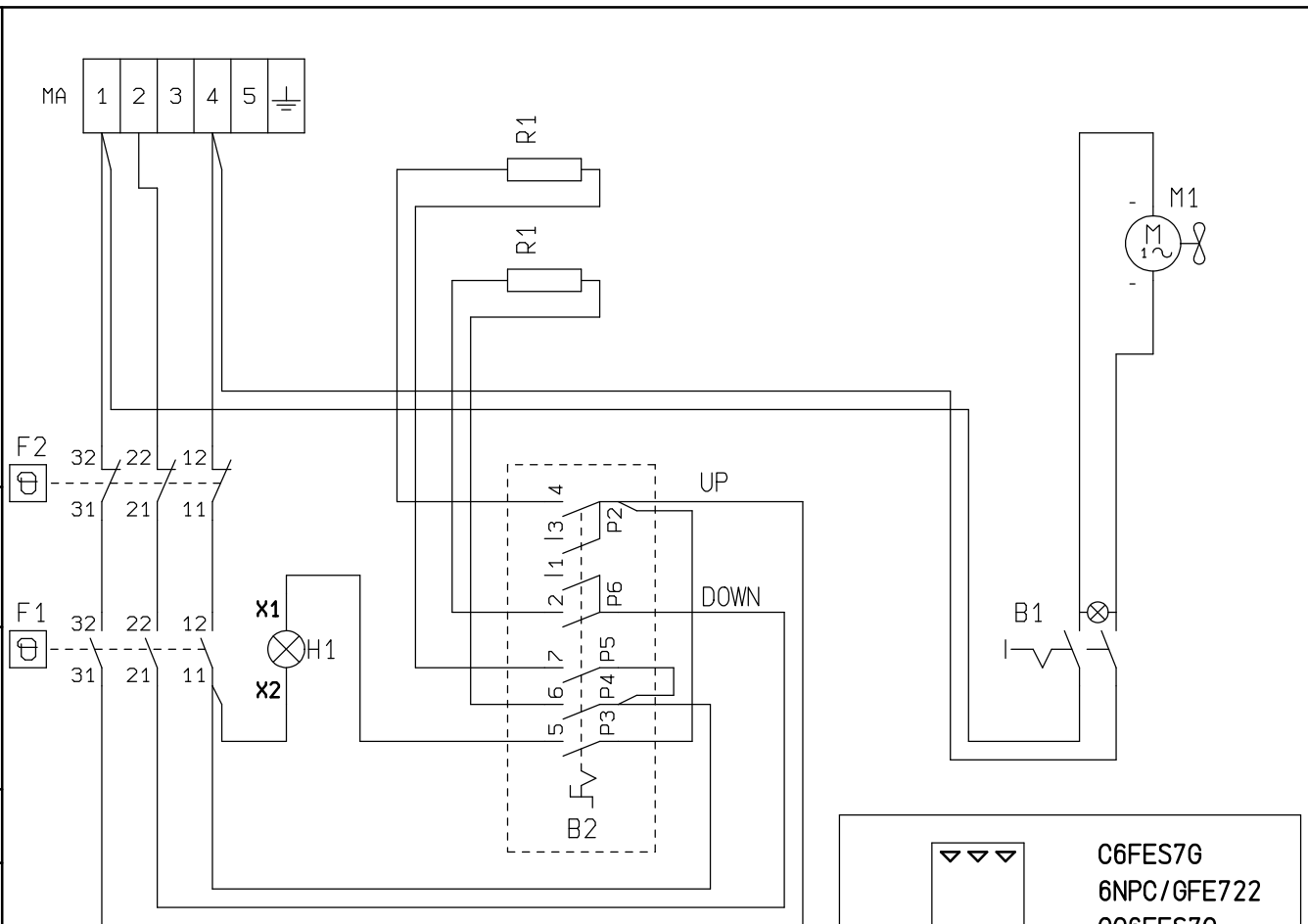
SCHEMA ELETTRICO CUCINA MISTA 60

DIS.N. CR0935730

DATA 29.12.11

MOD.

| | | | | |
|----------------------|----------|-------|---------|----------------------|
| DESCRIZIONE MODIFICA | DATA | FIRMA | MOD. | DESCRIZIONE MODIFICA |
| | | | | PRIMA EMISSIONE |
| DATA | 14.02.12 | FIRMA | NARDINI | |
| MOD. | | | | |
| DI SEGNA TO DA : | NARDINI | | | |
| APPROVATO DA : | | | | |



B2

| | | | | | | | | |
|-----|---|----|---|----|---|----|----|----|
| ● | D | X | X | X | X | X | X | X |
| ◐ | D | | X | | X | | X | X |
| ◑ | D | X | | X | | X | | X |
| ○ | D | | | | | | | |
| POS | | 4 | 3 | 1 | 2 | 7 | 6 | 5 |
| | | P2 | | P6 | | P5 | P4 | P3 |

| | | | | | |
|-----------------------|--|-----------------------|--------------------|--------------|--------------|
| | C6FES7G 6NPC/GFE722 OC6FES7G ECG64E | | | | |
| | C6FEV7G 6NPC/GFEV722 OC6FEV7G ECG64EV | | | | |
| P (KW) | 4.2 | | | | |
| I (A) | 9.1 15.8 | | | | |
| U (V) | 400V 3N~ 230V 3~ | | | | |
| f (Hz) | 50/60 | | | | |
| Cable | 5G1.5mm ² 4G2.5mm ² | | | | |
| | <table border="1"> <tr> <td>400VAC 3N L1L2L3 N</td> <td>230VAC 3 L1L2L3</td> </tr> <tr> <td>MA 1 2 3 4 5</td> <td>MA 1 2 3 4 5</td> </tr> </table> | 400VAC 3N L1L2L3 N | 230VAC 3 L1L2L3 | MA 1 2 3 4 5 | MA 1 2 3 4 5 |
| 400VAC 3N L1L2L3 N | 230VAC 3 L1L2L3 | | | | |
| MA 1 2 3 4 5 | MA 1 2 3 4 5 | | | | |

| | VERSIONI VENTILATE | VERSIONS VENTILE' | FAN VERSION | VENTILATOR VERSION |
|----|--------------------------|-------------------------|-------------------------|---------------------|
| B1 | INTERRUTTORE VENTILATORE | COMMUTEUR VENTILATEUR | FAN SWITCH | VENTILATOR SCHALTER |
| M1 | VENTILATORE | VENTILATEUR | FAN | VENTILATOR |
| B2 | COMMUTATORE FORNO | COMMUTEUR FOUR | OVEN CHANGE-OVER SWITCH | BACKOFEN UMSCHALTER |
| F1 | TERMOSTATO FORNO | THERMOSTAT FOUR | OVEN THERMOSTAT | BACKOFEN THERMOSTAT |
| F2 | TERMOSTATO DI SICUREZZA | THERMOSTAT DE SICURITE' | SAFETY THERMOSTAT | TEMPERATURBEGRENZER |
| H1 | SPIA ARANCIO | LAMPE ORANGE | ORANGE PILOTLIGHT | ORANGE LAMPE |
| MA | MORSETTIERA ARRIVO LINEA | BORNES ARRIVEE LIGNE | TERMINAL BLOCK | ANSCHLUSSKLEMME |
| R1 | RESISTENZA FORNO | RESISTANCE FOUR | OVEN HEATING | BACKOFEN HEIZKORPER |